
HOGGI[®]



CE

DURO and DURO Cross Spare parts catalogue

en

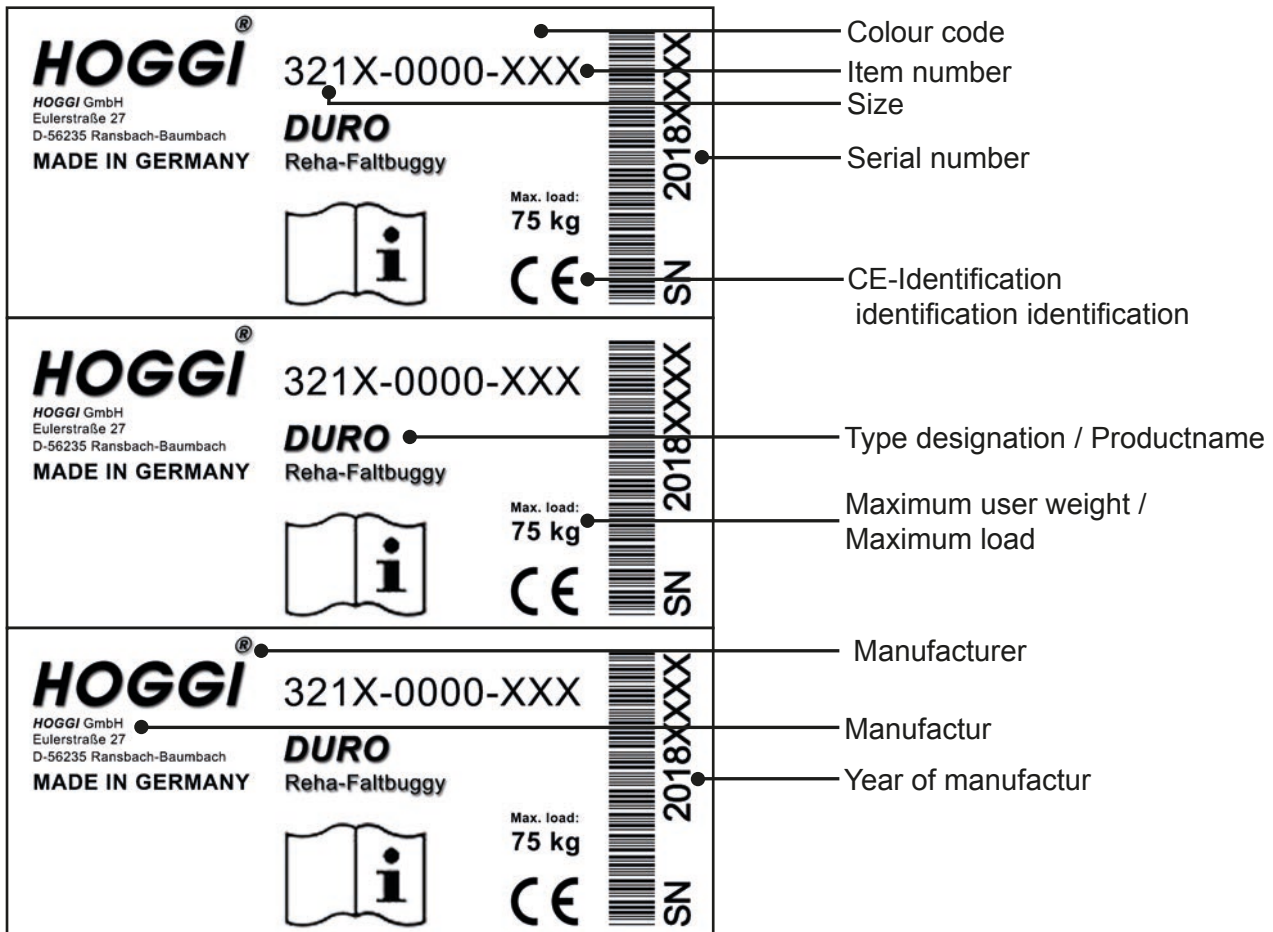
Index

1	Modellidentification and basic equipment	
1.1	Modellidentification _____	3
1.2	Basic equipment _____	3
2	Assemblies _____	
2.1	Assembly overview _____	4
3	Spare parts	
3.1	Front frame _____	5
3.2	Rear frame Duro _____	6-7
3.3	Wheel lock assembly _____	8
3.4	Rear frame Duro Cross _____	9-10
3.5	Pneumatic wheel black _____	11
3.6	Push bar _____	12
3.7	Seat and bucket retainer _____	13-14
3.8	Seat surface _____	15
3.9	Pelotte thigh support _____	16
3.10	Hip support right _____	17
3.11	Back Base, removable Back _____	18-19
3.12	Lateral support _____	20
3.13	Back insert _____	21
3.14	Duro upholstery _____	22
3.15	Footrest hanger _____	23
3.16	Duro dynamic knee angle adjustment _____	24
3.17	Foot rest bracket angle adjustable _____	25
3.18	Foot rest bracket angle adjustable _____	26
3.19	Foot rest with heel stop _____	27
3.20	Castor fork with fasteners _____	28
3.21	Aluminum front forks _____	29
3.22	Pneumatic wheel _____	30
3.23	Swivel lock,for two castor fork`s _____	31
3.24	Swivel lock _____	32
3.25	Tie down kit _____	33
3.26	Headrest pads without upholstery _____	34
3.27	Anatomical neck-headrest _____	35
3.28	Trunk suport _____	36
3.29	Hip belt _____	37
3.30	4-point lap belt _____	38
3.31	Five-point harness _____	39
3.32	Foot straps _____	40
3.33	Ankle huggers _____	41
3.34	Groin strap _____	42
3.35	Fixation jacket _____	43
3.36	Chest-shoulder harness _____	44
3.37	Abduction block fixed _____	45
3.38	Abduction block swing & detachable _____	46-47
3.39	Retainer for accessories grab rail _____	48
3.40	Grab rail with upholstery _____	49
3.41	Therapy tray, clear _____	50
3.42	Therapy tray, clear height adjustable _____	51-52
3.43	Attendant brake _____	53
3.44	Calf pad support plate _____	54
3.45	Canopy incl. adapter and rain protection _____	55

1 Model identification

1.1 Model identification

The label with the serial number, is placed on the inside of the right rear side bar.
Please give us the Serial number with every spare part order, to ensure a correct delivery.

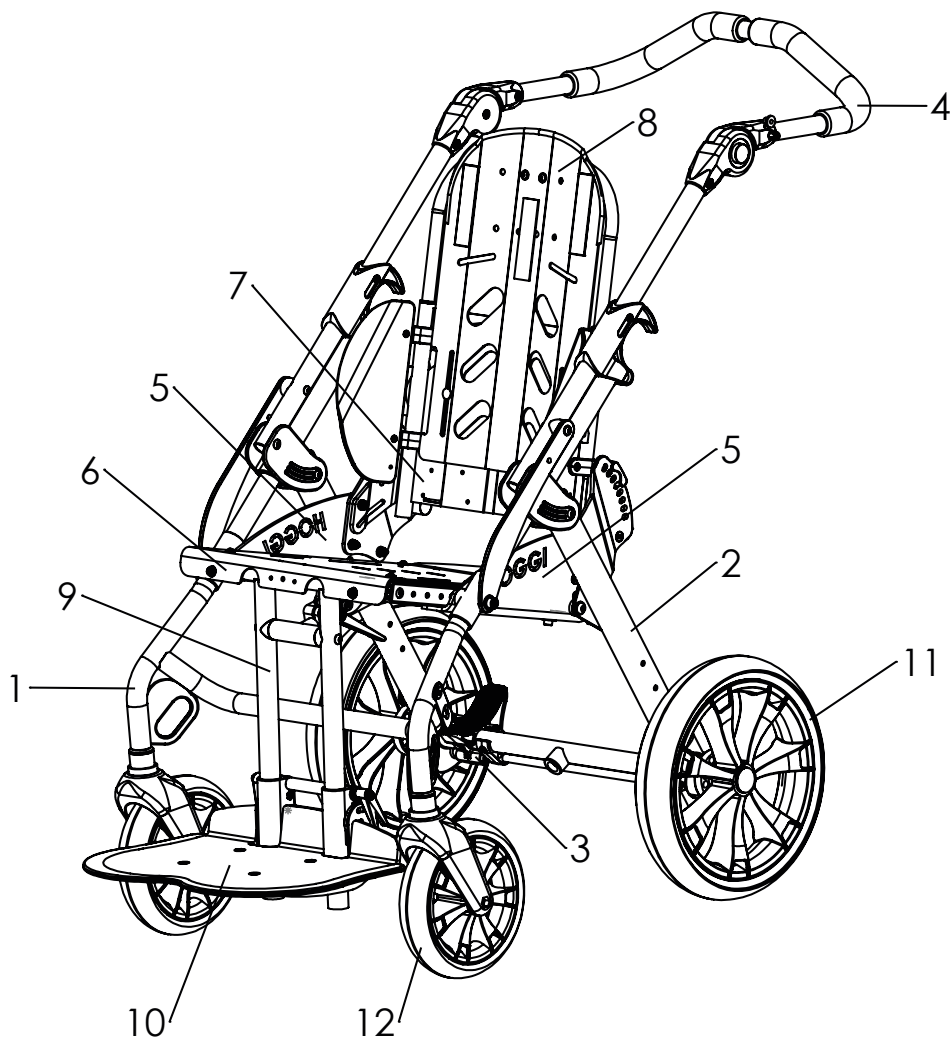


1.2 Basic configuration

The basic configuration includes:

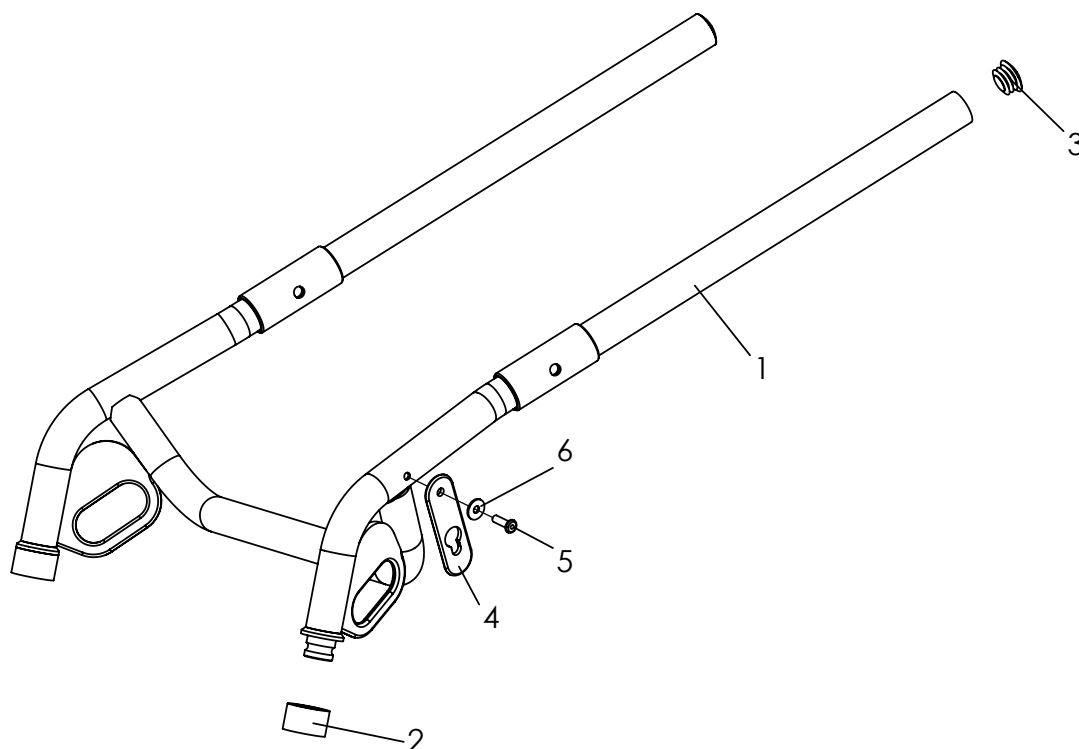
- DURO or DURO Cross Rehab-buggy
- With DURO: Front- and rear wheels with pneumatic or PU-wheels
- With DURO Cross: Front wheels with pneumatic- or PU-wheels, Rear drumbrakes with, pneumatic or PU-wheels
- Upholstery (IPS)
- Pelotte thigh support
- Foot rest hanger, angle adjustable
- Foot rest bracket and foot rest

2 Component overview



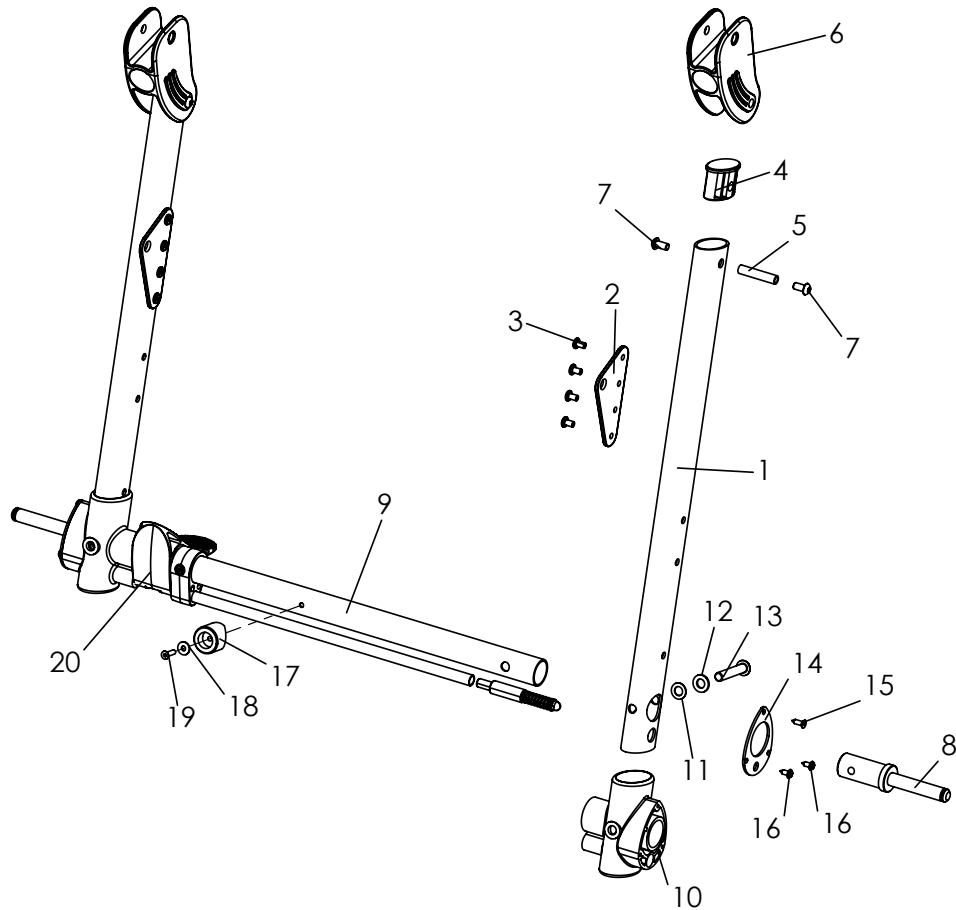
Pos	Artikelnummer	Artikelbezeichnung	Seite
1	3211-1100	Vorderrahmen DURO Gr. 1	5
	3212-1100	Vorderrahmen DURO Gr. 2	
2	3211-1200	Hinterrahmen DURO Gr. 1	6
	3212-1200	Hinterrahmen DURO Gr. 2	
3	3201-1301	Bremse Gr. 1	8
	3203-1301	Bremse Gr. 2	
4	3211-1400	Schiebebügel DURO Gr. 1	12
	3212-1400	Schiebebügel DURO Gr. 2	
5	3211-150x	Sitz und Rückenlager	13
6	3211-1700	Sitzfläche DURO Gr. 1	15
	3212-1700	Sitzfläche DURO Gr. 2	
7	3212-2300	Rückenbasis DURO Gr. 2	18
	3211-2300	Rückenbasis DURO Gr. 1	
8	3211-2800	Rückeneinschub DURO Gr. 1	21
	3212-2800	Rückeneinschub DURO Gr. 2	
9	3211-2400	Fußstützanlage DURO Gr. 1	23
	2312-2400	Fußstützanlage DURO Gr. 2	
10	3245-4302	Frußbretthalter	25
11	12xx-xxxx	Hinterräder	30
12	12xx-xxxx	Vorderräder	30

Spare parts



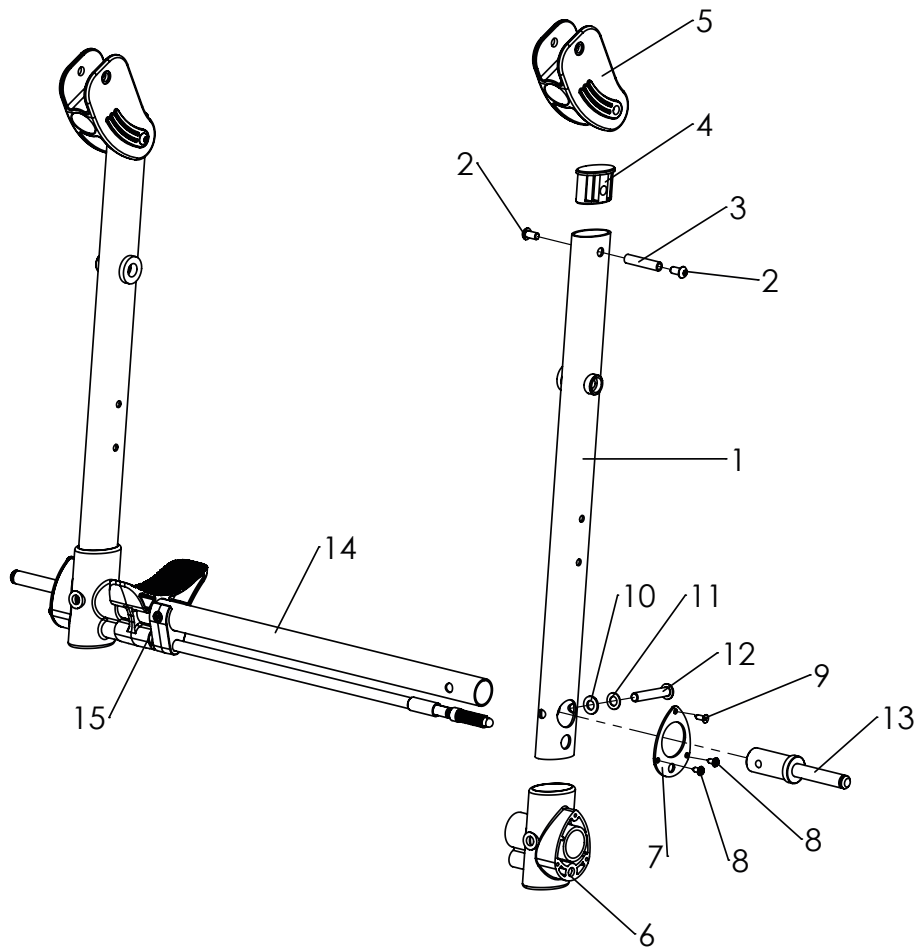
Pos	Article number	Articel description	Quantity	Unit
1-6	3211-1100E-052	Front frame Duro size 1	1	Pc.
	3212-1100E-052	Front frame Duro size 2	1	Pc.
1	3211-1110-052	Front frame Duro size 1	1	Pc.
	3212-1110-052	Front frame Duro size 2	1	Pc.
2	3202-1151	Cover ring	2	Pc.
3	1141-0009	Ribbed insert SFL 25x1-2,5	2	Pc.
4	3231-1431	Catch strap	1	Pc.
5	1062-0516	Blind rivet F5x16	1	Pc.
6	1055-0005	Washer A5,3	1	Pc.

Spare parts



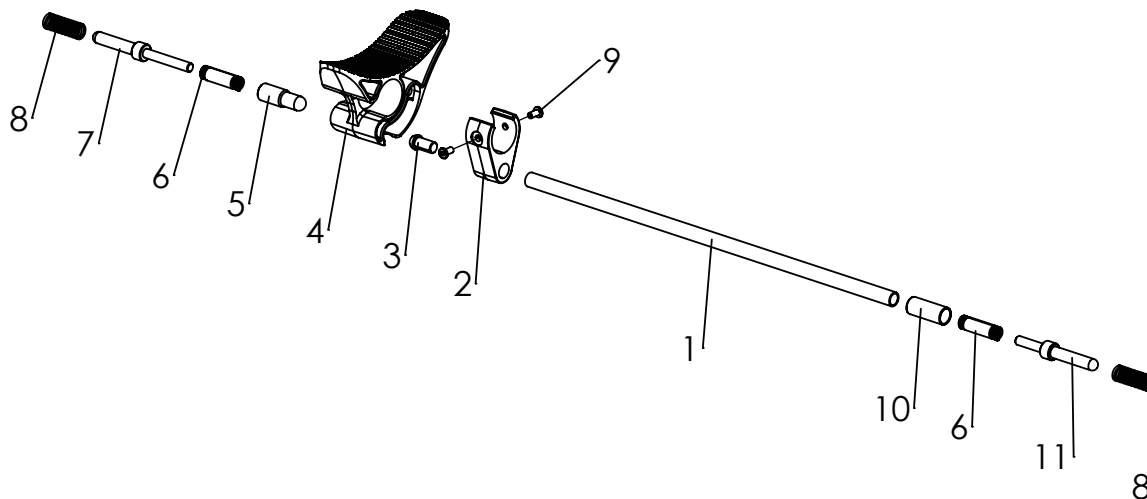
Pos	Article number	Articel description	Quantity	Unit
1-20	3211-1200E-xxx	Rear frame DURO size 1	1	Pc.
	3212-1200E-xxx	Rear frame DURO size 2	1	Pc.
1-3	3211-1211E-xxx	Side bar rear DURO left, incl. gusset plate	1	Pc.
	3211-1221E-xxx	Side bar rear DURO right, incl. gusset plate	1	Pc.
2	3210-1212-015	Gusset plate	2	Pc.
3	1062-0508	Blind rivet F5x8	8	Pc.
4	3201-1270	Plug	2	Pc.
5	1114-0028	Threaded bushing 8xM6x38	2	Pc.
6	3201-1500	Slider	2	Pc.
7	1029-0612	Button head socket screw M6x12	4	Pc.
8	3201-1240	Axle stump	2	Pc.
9	3211-1213E-xxx	Axle tube DURO size 1 with lock rod retainer	1	Pc.
	3212-1213E-xxx	Axle tube DURO size 2 with lock rod retainer	1	Pc.
10-16	3201-1280E	Connector	2	Pc.
11	1051-0008	Washer A8,4	2	Pc.
12	1052-0008	Spring washer B8	2	Pc.
13	1029-0845	Button head socket screw M8x45	2	Pc.
14	3201-1281	Stabilizer	2	Pc.
15	1039-0006	Countersunk tapping screw	2	Pc.
16	1039-0001	Screw for plastic, cross pan head w. flange 4x10	4	Pc.
17	3211-1214	Fold stop, DURO	1	Pc.
18	1055-0004	Washer A4,3	1	Pc.
19	1063-0416	Blind rivet S4x16	1	Pc.
20	3211-1300E-052	Parking Break size 1	1	Pc.
	3212-1300E-052	Parking Break size 2	1	Pc.

Spare parts



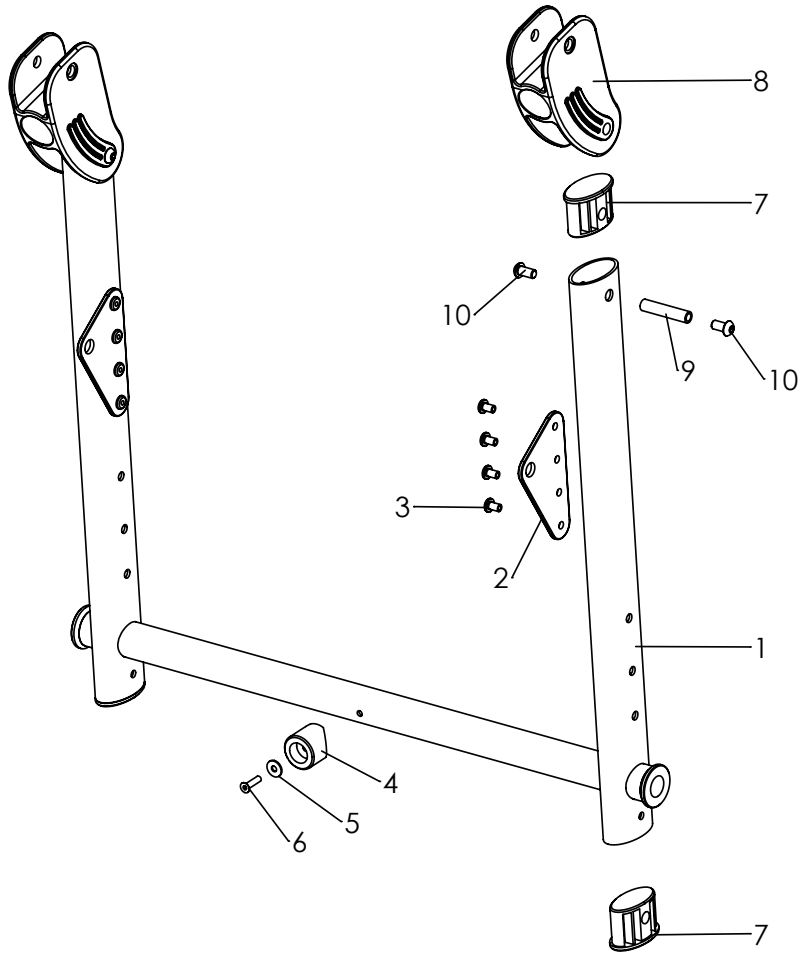
Pos	Article number	Articel description	Quantity	Unit
1-15	3211-1201E-052	Rear frame DURO size 1	1	Pc.
	3212-1201E-052	Rear frame DURO size 2	2	Pc.
1	3211-1210-052	Side bar rear DURO	2	Pc.
2	1029-0612	Button head socket screw M6x12	4	Pc.
3	1114-0028	Threaded bushing 8xM6x38	2	Pc.
4	3201-1270	Plug	2	Pc.
5	3201-1500	Slider	2	Pc.
6-12	3201-1280E	Connector, complete	2	Pc.
6	3201-1280	Connector	2	Pc.
7	3201-1281	Stabilizer	2	Pc.
8	1039-0001	Screw for plastic, cross rcessed pan head w. flange 4x10	4	Pc.
9	1039-0006	Counter sunk Screw for plastic	2	Pc.
10	1051-0008	Washer A8,4	2	Pc.
11	1052-0008	Spring washer B8	2	Pc.
12	1029-0845	Button head socket screw M8x45	2	Pc.
13	3201-1240	Axle stump	2	Pc.
14	3211-1213E-052	Axle tube DURO size 1 with lock rod retainer	1	Pc.
	3212-1213E-052	Axle tube DURO size 2 with lock rod retainer	1	Pc.
15	3211-1301E-052	Parking Break size 1	1	Pc.
	3212-1301E-052	Parking Break size 2	1	Pc.

Spare parts



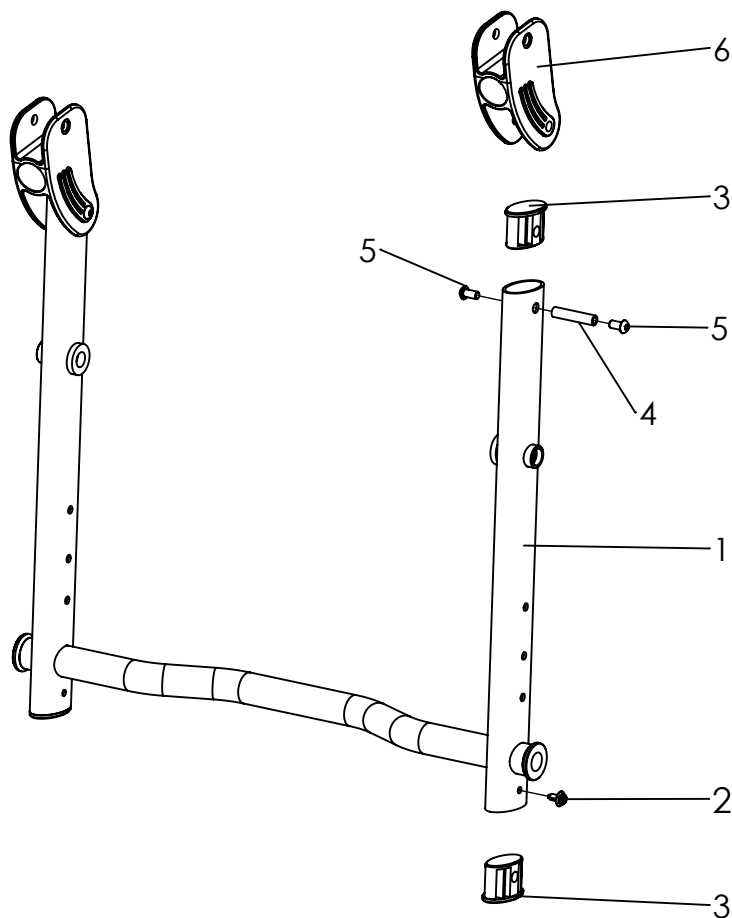
Pos	Article number	Articel description	Quantity	Unit
1-11	3211-1301E-052	Wheel lock assembly size 1, complete	1	Pc.
	3212-1301E-052	Wheel lock assembly size 2, complete	1	Pc.
1	3211-1311-052	Brake rod size 1	1	Pc.
	3212-1311-052	Brake rod size 2	1	Pc.
2	3232-1320	Wheel lock rod retainer open	1	Pc.
3	3201-1340	Slide insert	1	Pc.
4	3232-1310	Wheel lock lever open	1	Pc.
5	3232-1361	Slider brake right	1	Pc.
6	1131-0087	Compression D-198	2	Pc.
7	3232-1350-008	Lock pin, left	1	Pc.
8	1131-0034	Compression spring D-180Q-03	2	Pc.
9	1062-0408-033	Blind rivet F4x8, black	2	Pc.
10	3232-1351-007	Brake sleeve black	1	Pc.
11	3232-1360-008	Lock pin right	1	Pc.

Spare parts



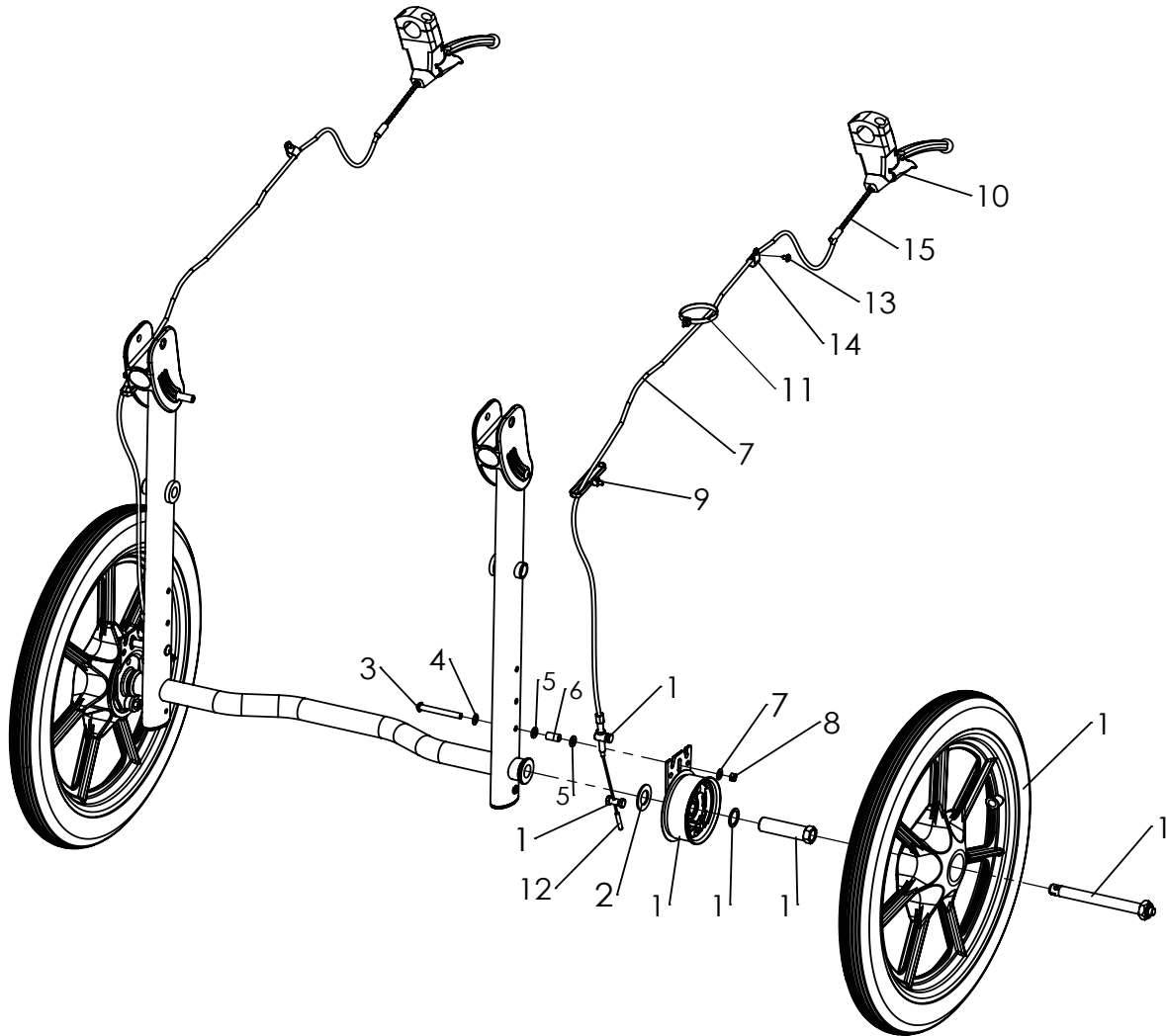
Pos	Article number	Articel description	Quantity	Unit
1-10	3214-1200E-xxx	Rear frame DURO Cross, Drumbreak size 1	1	Pc.
	3215-1200E-xxx	Rear frame DURO Cross, Drumbreak size 2	1	Pc.
1-6	3214-1210E-xxx	Rear frame DURO Cross, Drumbreak size 1 incl. Gusset plate	1	Pc.
	3215-1210E-xxx	Rear frame DURO Cross, Drumbreak size 1 incl. Gusset plate	1	Pc.
2	3210-1212	Gusset plate	2	Pc.
3	1062-0508	Blind rivet F5x8	8	Pc.
4	3211-1214	Fold stop	1	Pc.
5	1055-0004	Washer A4,3	1	Pc.
6	1063-0416	Blind rivet S4x16	1	Pc.
7	3201-1270	Plug	4	Pc.
8	3201-1500	Slider	2	Pc.
9	1114-0028	Threaded bushing 8xM6x38	2	Pc.
10	1029-0612	Button head socket screw M6x12	4	Pc.

Spare parts



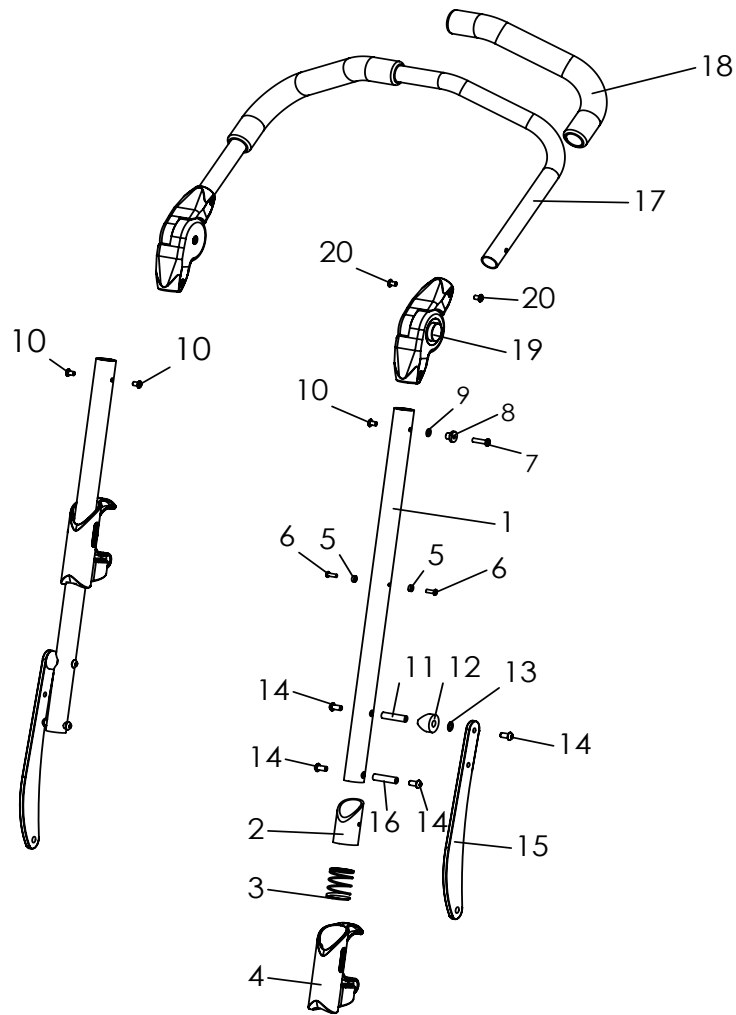
Pos	Article number	Articel description	Quantity	Unit
1-6	3214-1201E-052	Rear frame DURO Cross, Drumbreak size 1	1	Pc.
	3215-1201E-052	Rear frame DURO Cross, Drumbreak size 2	1	Pc.
1	3214-1220-052	Rear frame DURO Cross, Drumbreak size 1	1	Pc.
	3215-1220-052	Rear frame DURO Cross, Drumbreak size 2	1	Pc.
2	1149-0008	Screw rivet PA, d5 black	2	Pc.
3	3201-1270	Plug	4	Pc.
4	1114-0028	Threaded bushing 8xM6x38	2	Pc.
5	1029-0612	Button head socket screw M6x12	4	Pc.
6	3201-1500	Slider	2	Pc.

Spare parts



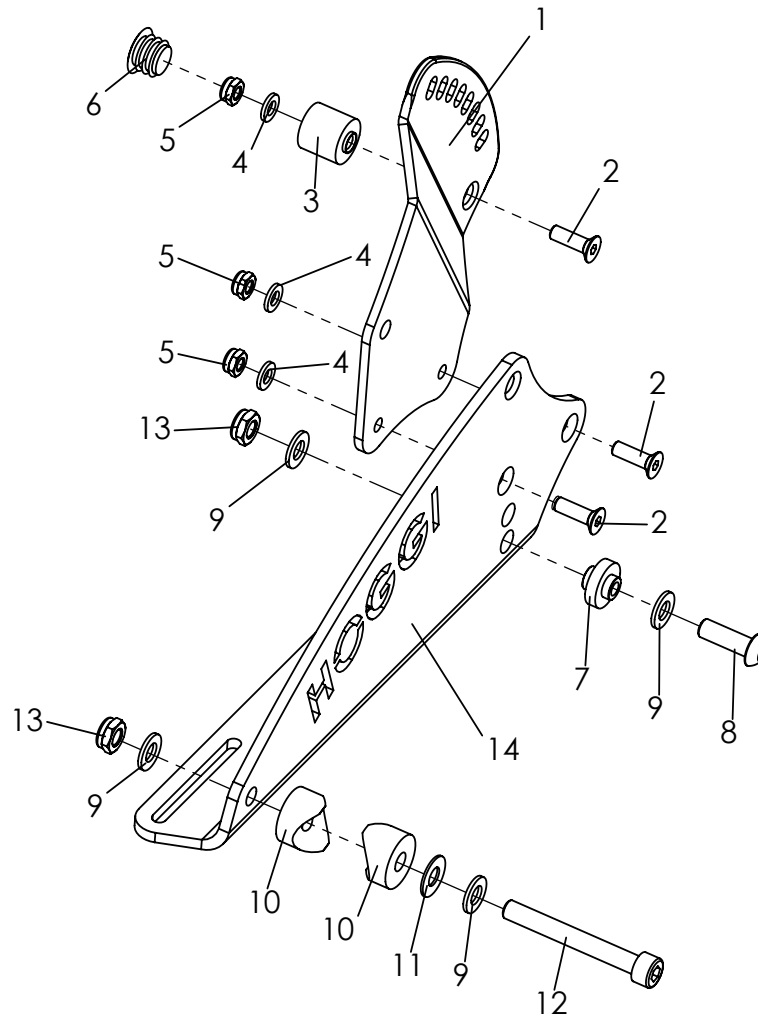
Pos	Article number	Articel description	Quantity	Unit
1	1219-0040	Pneumatic wheel black 16 x 1,75", black 5 spoke, drum brake left side	1	Pc.
	1219-0041	Pneumatic wheel black 16 x 1,75", black 5 spoke, drum brake right side	1	Pc.
	1229-0040	PU-wheel black 400x40, black 5 spoke, drum brake left side	1	Pc.
	1229-0041	PU-wheel black 400x40, black 5 spoke, drum brake right side	1	Pc.
2-15	3214-1290E	Duro cross break assembly parts	1	Set
2	1052-0016	Spring washer B12	2	Pc.
3	1029-0650	Button head socket screw M6x50	2	Pc.
4	1052-0006	Spring washer B6	2	Pc.
5	1051-0006	Washer A6,4	6	Pc.
6	1114-0018	Bushing 8x0,8x14,5	2	Pc.
7	1052-0006-033	Spring washer B6 black	2	Pc.
8	1049-0070-033	BILOC-nut M6	2	Pc.
9	1209-0001	Bowden wire set, complete 112cm cable	2	Pc.
10	1209-0008	Brake lever 80° manually locking 22 mm (for push-bar)	2	Pc.
11	1089-0004	Cable tie, black, 5x180	2	Pc.
12	1209-0007	End cap aluminium for Bowden cable wire	2	Pc.
13	1039-0001	Screw for plastic, cross rcessed pan head w. flange 4x10	2	Pc.
14	1149-0003	Cable clip d 6,4 / 8 mm, black	2	Pc.
15	1205-0054	Bowden cable guide flex	2	Pc.

Spare parts



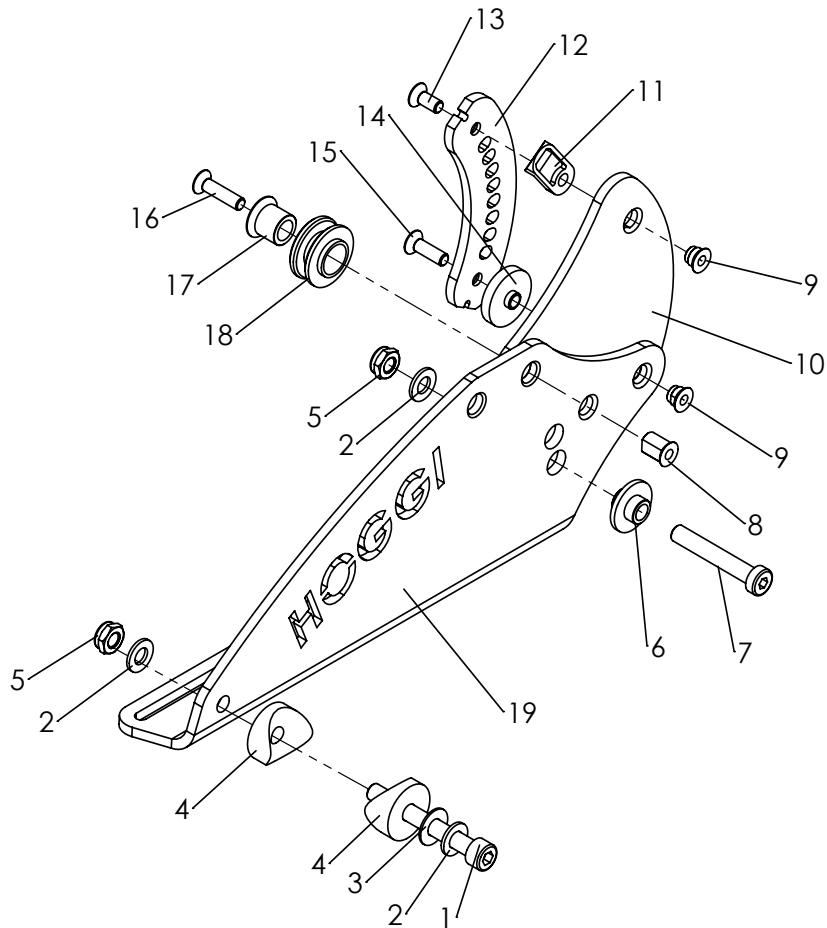
Pos	Article number	Articel description	Quantity	Unit
1-20	3211-1400E-052	Push bar DURO size 1	1	Pc.
	3212-1400E-052	Push bar DURO size 2	1	Pc.
1-10	3211-1410E-052	Push handle bottom part with folding safety device and rivets	1	Pc.
2-6	3201-1430E	Folding safety device	1	Pc.
11	1114-0065	Threaded bushing 8xM6x33,2	2	Pc.
12	1111-0011	Saddle washer PA black 24x8.4x8	2	Pc.
13	1052-0006	Spring washer B6	2	Pc.
14	1029-0612	button head socket screw M6x12	8	Pc.
15	3213-1410-xxx	Support lever	2	Pc.
16	1114-0027	Threaded bushing 8xM6x32	2	Pc.
17	3211-1421-xxx	Push handle upper part DURO size 1	1	Pc.
	3212-1421-xxx	Push handle upper part DURO size 2	1	Pc.
18	1143-0001	Handle grip black	2	Pc.
19	1129-0009	Ratchet joint 25x22	1	Pair
20	1069-0003	Blind rivet F5x8	5	Pc.

Spare parts



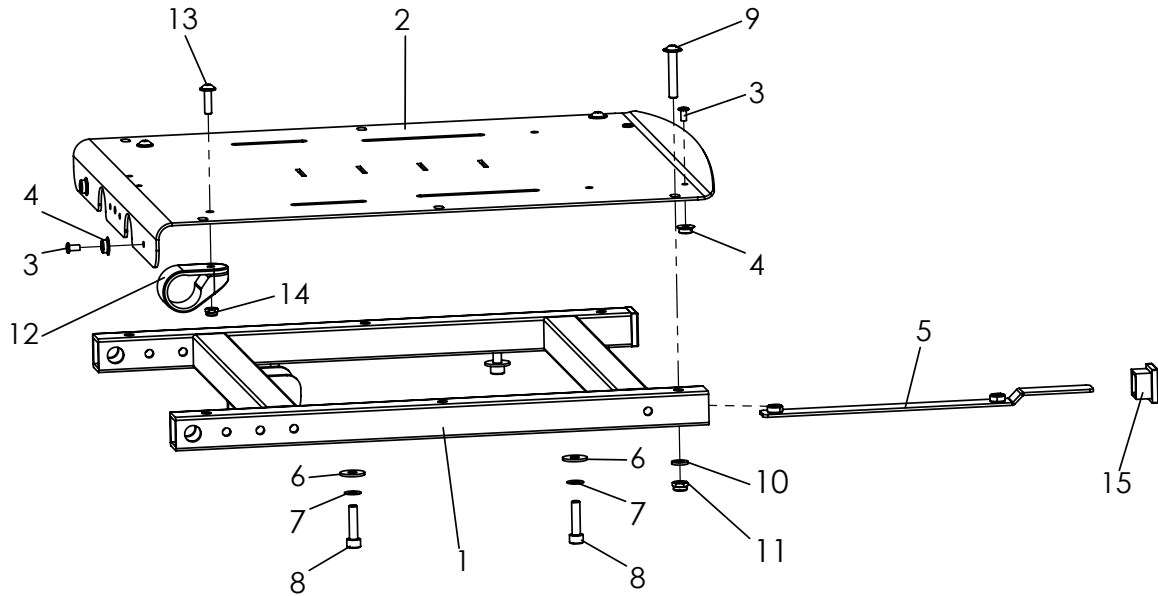
Pos	Article number	Articel description	Quantity	Unit
1-13	3211-1500E	Seat and backrest retainer	1	Set
1	3211-1512-007	Backrest retainer, left	1	Pc.
	3211-1522-007	Backrest retainer, right	1	Pc.
2	1024-0620	Hexagon socket countersunk head screw M6x20	3	Pc.
3	3211-1514-007	Stop block for DURO backrest recline	6	Pc.
4	1051-0006	Washer A6,4	6	Pc.
5	1042-0006	Hexagon nut self-locking M6	6	Pc.
6	1141-0006	Ribbed insert SFL 20x0,8-2,5	2	Pc.
7	3211-1721	Support bracket bushing, seat	2	Pc.
8	1029-0825	Button head socket screw M8x25	2	Pc.
9	1051-0008	Washer A8,4	8	Pc.
10	1111-0006	Saddle washer PA black 24x8.4x8	4	Pc.
11	1113-0003	Washer PA 18x8,4x1 black	2	Pc.
12	1021-0865	Hexagon socket head cap screw M8x65	2	Pc.
13	1042-0008	Hexagon nut self-locking 985 M8	4	Pc.
14	3211-1741-022	Support bracket, left, signal white	1	Pc.
	3211-1741-XXX	Support bracket, left	1	Pc.
	3211-1751-022	Support bracket, right, signal white	1	Pc.
	3211-1751-XXX	Support bracket, right	1	Pc.

Spare parts



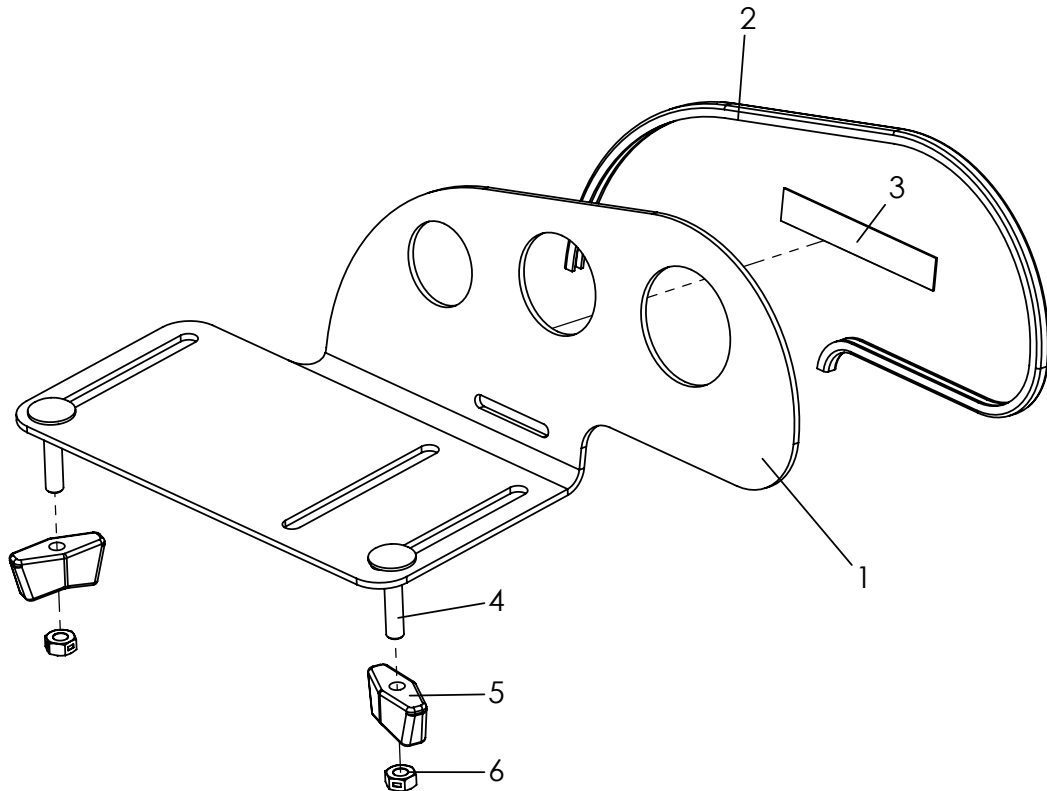
Pos	Article number	Articel description	Quantity	Unit
1-18	3212-1500E	Seat and backrest retainer	1	Pair
1	1021-0865	Hexagon socket head cap screw M8x65	2	Pc.
2	1051-0008	Washer A8,4	6	Pc.
3	1113-0003	Washer PA 18x8,4x1 black	2	Pc.
4	1111-0006	Saddle washer PA black 24x8.4x5	4	Pc.
5	1042-0008	Hexagon nut self-locking M8	4	Pc.
6	3211-1722	Support bracket bushing, seat	2	Pc.
7	1022-0850	Hexagon socket head cap screw M8x50	2	Pc.
8	3221-3516	Threaded sleeve M6	2	Pc.
9	3231-1527	Threaded insert	4	Pc.
10	3211-1523-007	Backrest retainer DURO left	1	Pc.
	3211-1533-007	Backrest retainer DURO right	1	Pc.
11	3231-1514	Latch ramp	2	Pc.
12	3211-1517-006	Scantling rail DURO	2	Pc.
13	1024-0614	Hexagon socket countersunk head screw M6x14	2	Pc.
14	3211-1518	Spacer for Scantling rail DURO	2	Pc.
15	1024-0620	Hexagon socket countersunk head screw M6x20	2	Pc.
16	1024-0625	Hexagon socket countersunk head screw M6x25	2	Pc.
17	3211-1515-007	Axis shaft backbase	2	Pc.
18	3211-1519	Joint socket back base detachable	2	Pc.
19	3211-1742-022	Support bracket, left, signal white	1	Pc.
	3211-1742-xxx	Support bracket, left	1	Pc.
	3211-1752-022	Support bracket, right, signal white	1	Pc.
	3211-1752-xxx	Support bracket, right	1	Pc.

Spare parts



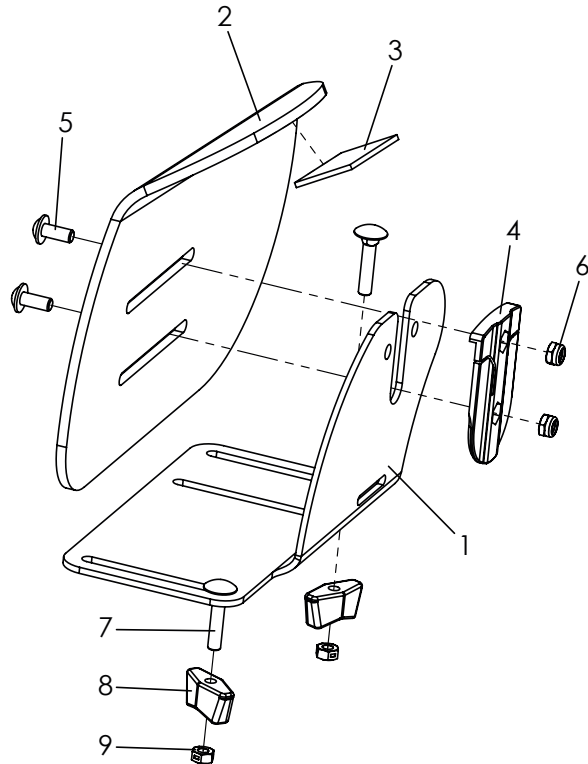
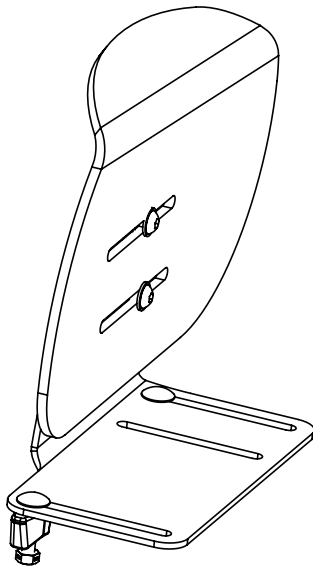
Pos	Article number	Articel description	Quantity	Unit
1-15	3211-1700E-xxx	Seat surface DURO size 1	1	Pc.
	3212-1700E-xxx	Seat surface DURO size 2	1	Pc.
1	3211-1710-xxx	Seat frame size 1	1	Pc.
	3212-1710-xxx	Seat frame size 2	1	Pc.
2-5	3211-1731E-xxx	Seat plate, size 1	1	Pc.
	3212-1731E-xxx	Seat plate, size 2	1	Pc.
3	1061-0406	Blind rivet F4x6	4	Pc.
4	1533-0005	Ring-ball part DRK 95B	4	Pc.
5	3211-1715	Threaded plate with a bend	2	Pc.
6	1055-0006	Washer A6,4	4	Pc.
	1052-0006	Spring washer B6	4	Pc.
8	1021-0625	Hexagon socket head cap screw M6x25	4	Pc.
9	1030-0635	Button head socket screw with flange M6x35	2	Pc.
10	1051-0006	Washer A6,4	2	Pc.
11	1042-0006	Hexagon nut self-locking M6	2	Pc.
12	3245-3311	Gripper clamp	2	Pc.
13	1030-0518	Button head socket screw with flange M5x18	2	Pc.
14	1042-0005	Hexagon nut self-locking M5	2	Pc.
15	1141-0032	Ribbed insert VL	2	Pc.

Spare parts



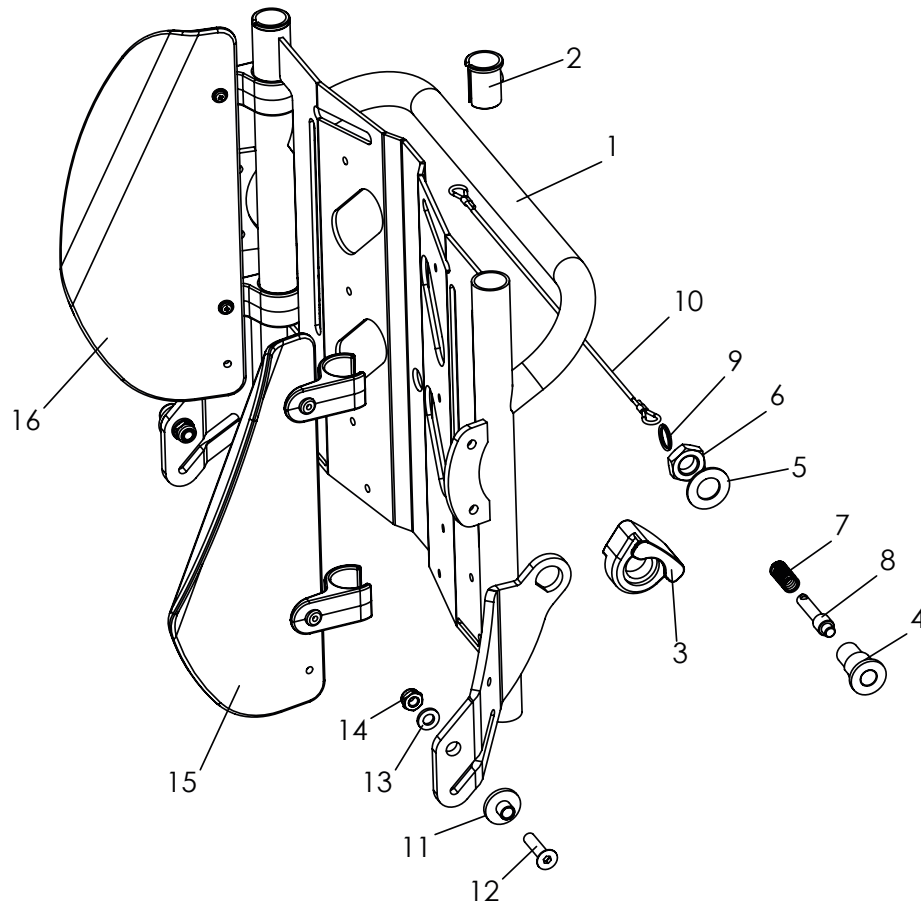
Pos	Article number	Articel description	Quantity	Unit
1-6	3230-2901E	Pelotte thigh support Mini, left, picture	1	Pc.
	3230-2902E	Pelotte thigh support Mini, right	1	Pc.
	3231-2901E	Pelotte thigh support size 1, left	1	Pc.
	3231-2902E	Pelotte thigh support size 1, right	1	Pc.
	3233-2901E	Pelotte thigh support size 2, left, picture	1	Pc.
	3233-2902E	Pelotte thigh support size 2, right	1	Pc.
	3235-2901E	Pelotte thigh support size 2XL, left	1	Pc.
	3235-2902E	Pelotte thigh support size 2XL, right	1	Pc.
	1-3	3230-2911E	Pelotte thigh support Mini, left, picture	1
3230-2912E		Pelotte thigh support Mini, right	1	Pc.
3231-2911E		Pelotte thigh support size 1, left	1	Pc.
3231-2912E		Pelotte thigh support size 1, right	1	Pc.
3233-2911E		Pelotte thigh support size 2, left, picture	1	Pc.
3233-2912E		Pelotte thigh support size 2, right	1	Pc.
		Pelotte thigh support size 2XL, left	1	Pc.
3235-2912E		Pelotte thigh support size 2XL, right	1	Pc.
2	1144-0001	KS-Profil PVC, size 1 and mini 0,36m, size 2= 0,43m, size 2XL= 0,52m		mtr.
3	1501-0003	Hook strap black 25mm	0,4	m
		Mushroom head square neck bolt M5x25	2	Pc.
		Wing nut PA black M5	2	Pc.
6	1049-0066	BILOC-nut M5	2	Pc.

Spare parts



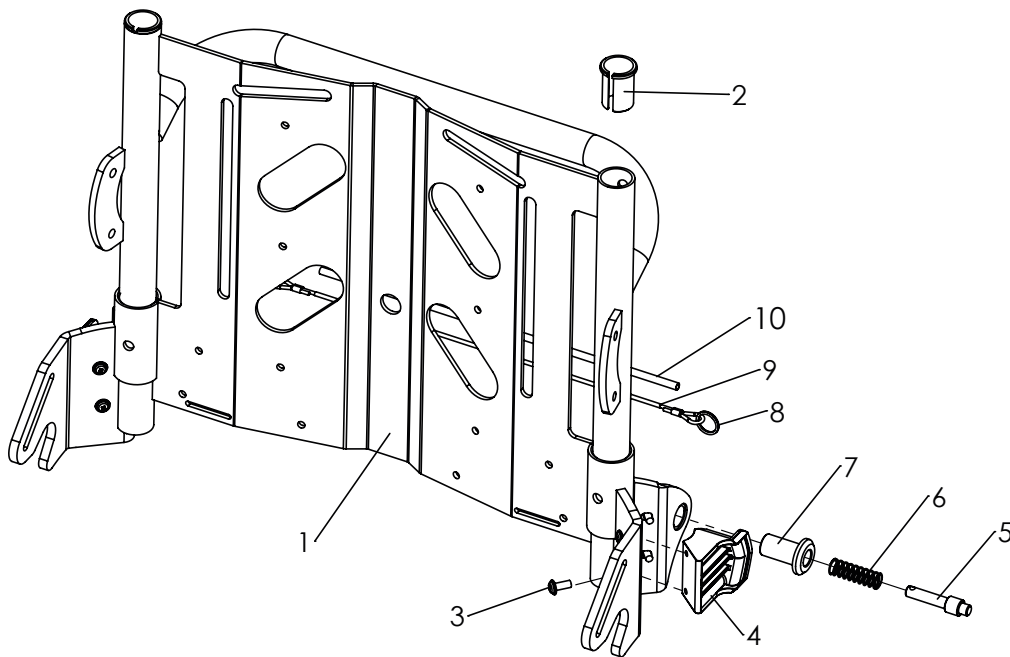
Pos	Article number	Articel description	Quantity	Unit
1-9	3230-2602E	Hip support right Mini	1	Pc.
	3230-2601E	Hip support left Mini	1	Pc.
	3231-2602E	Hip support right size 1	1	Pc.
	3231-2601E	Hip support left size 1	1	Pc.
	3233-2602E	Hip support right size 2	1	Pc.
	3233-2601E	Hip support left size 2	1	Pc.
	3235-2602E	Hüftpelotte right Gr. 2XL	1	Pc.
	3235-2601E	Hüftpelotte left Gr. 2XL	1	Pc.
1	3230-2612-032	Bracket for hip supports, right, Mini, black dull matt	1	Pc.
	3230-2611-032	Bracket for hip supports, left, Mini, black dull matt	1	Pc.
	3231-2612-032	Bracket for hip supports, right, size 1, black dull matt	1	Pc.
	3231-2611-032	Bracket for hip supports, left, size 1, black dull matt	1	Pc.
	3233-2612-032	Bracket for hip supports, right, size 2, black dull matt	1	Pc.
	3233-2611-032	Bracket for hip supports, left, size 2, black dull matt	1	Pc.
2-3	3230-2625E-032	Hip support formed part, right, Mini with velcro	1	Pc.
	3230-2624E-032	Hip support formed part, left, Mini with velcro	1	Pc.
	3231-2625E-032	Hip support formed part, right, size 1 with velcro	1	Pc.
	3231-2624E-032	Hip support formed part, left, size 1 with velcro	1	Pc.
	3233-2625E-032	Hip support formed part, right, size 2 with velcro	1	Pc.
	3233-2624E-032	Hip support formed part, left, size 2 with velcro	1	Pc.
	3235-2625E-032	Hip support formed part, right, size 2XL with velcro	1	Pc.
	3235-2624E-032	Hip support formed part, left, size 2XL with velcro	1	Pc.
3	1501-0003	Hook strap black 25mm	0,2	m
4	3231-2622	Locking hinge	2	Pc.
5	1030-0510	Button head socket screw with flange M5x10	4	Pc.
6	1042-0005	Hexagon nut self-locking M5	4	Pc.
7	1026-0525	Mushroom head square neck bolt M5x25	4	Pc.
8	1123-0500	Wing nut PA black M5	4	Pc.
9	1049-0066	BILOC-nut M5	4	Pc.

Spare parts



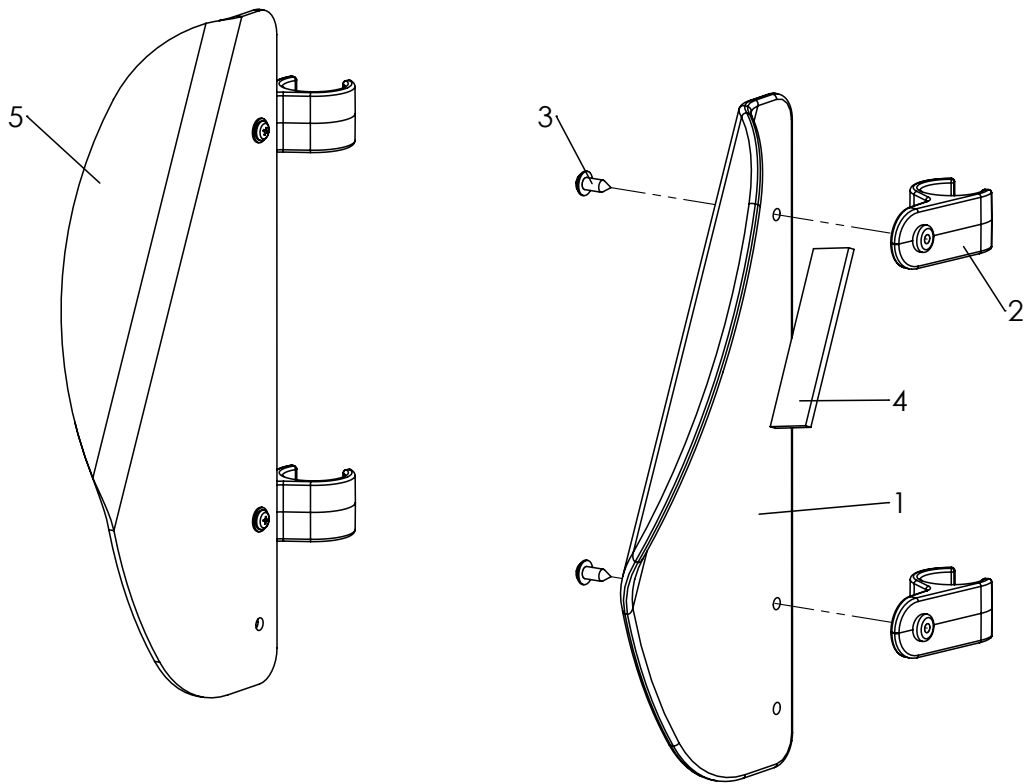
Pos	Article number	Articel description	Quantity	Unit
1-14	3211-2300E-xxx	Back base Duro size 1, with out lateral suport	1	Pc.
	3212-2300E-xxx	Back inserte Duro size 2, with out lateral suport	1	Pc.
1-2	3211-2310E-xxx	Back base DURO size 1, with bushing guide	1	Pc.
	3212-2310E-xxx	Back base DURO size 2, with bushing guide	1	Pc.
2	3211-2323	Busching guide for back insert	2	Pc.
3	3231-2322	Back guidance	2	Pc.
4	3231-2321	Locking bolt housing	2	Pc.
5	1052-0012	Spring washer B12	2	Pc.
6	1040-0012	Hexagon nut M12	2	Pc.
7	1131-0036	Compression spring D-127d	2	Pc.
8	3201-7530	Lock pin	2	Pc.
9	1129-0036	Key ring 16x1,6	2	Pc.
10	3211-2325	Release cable for DURO backrest recline size 1	1	Pc.
	3212-2325	Release cable for DURO backrest recline size 2	1	Pc.
11	3211-2321	Bearing bushing, back base	2	Pc.
12	1024-0625	Hexagon socket countersunk head screw M6x25	2	Pc.
13	1051-0006	Washer A6,4	2	Pc.
14	1042-0006	Hexagon nut self-locking M6	2	Pc.
15 und 16		For lateral support, go to page 20.		

Spare parts



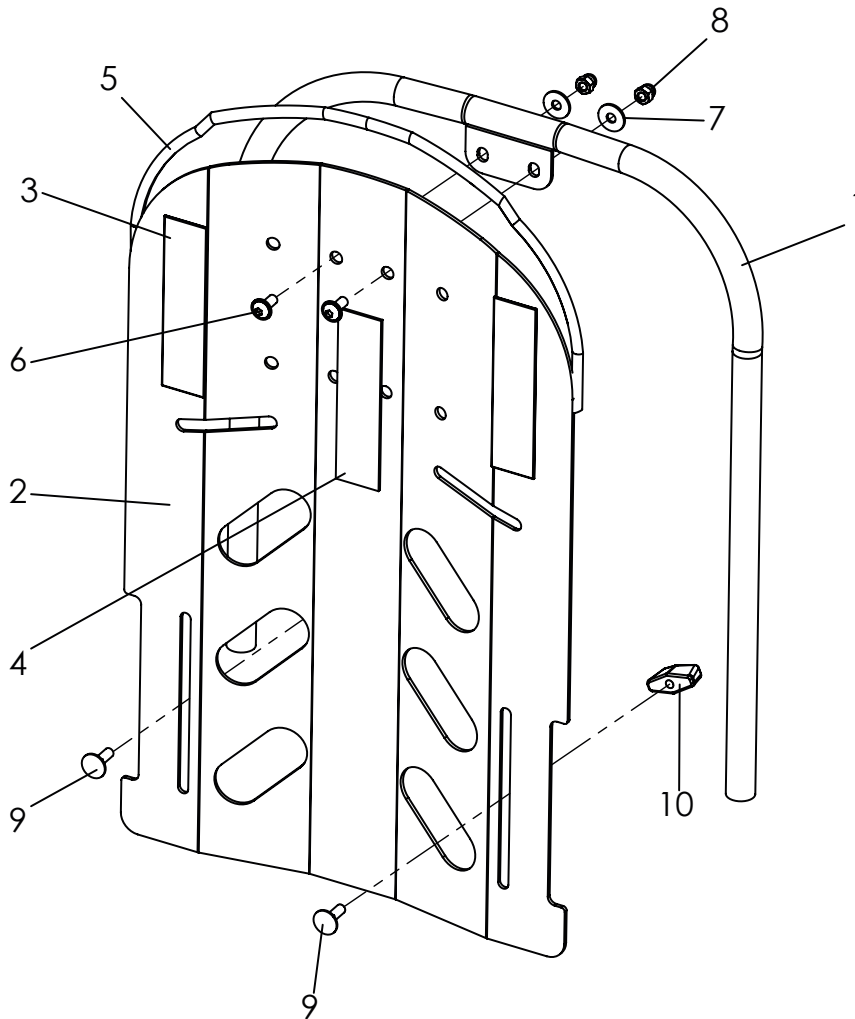
Pos	Article number	Articel description	Quantity	Unit
1-10	3211-2301E-052	Back Base, removable Back, DURO size 1, without lateral support	1	Pc.
	3212-2301E-052	Back Base, removable Back, DURO size 2, without lateral support	1	Pc.
1-2	3211-2320E-052	Back Base, removable Back, DURO size 1, with bushing guide	1	Pc.
	3212-2320E-052	Back Base, removable Back, DURO size 2, with bushing guide	1	Pc.
2	3211-2323	Busching guide for back insert	2	Pc.
3	1039-0003	Screw for plastic, cross rcessed pan head with flange 4x12	8	Pc.
4	3211-2326	Guide block	2	Pc.
5	3201-7530	Lock pin	2	Pc.
6	1131-0036	Compression spring D-127d	2	Pc.
7	3230-2322	Bolt socket	2	Pc.
8	1129-0036	Key ring 16x1,6	2	Pc.
9	3211-2325	Release cable for DURO backrest recline size 1	1	Pc.
	3212-2325	Release cable for DURO backrest recline size 2	1	Pc.
10	1143-0010	PVC hose 3/5 mm black	1	Pc.

Spare parts



Pos	Article number	Articel description	Quantity	Unit
1-4	3211-2710E	Lateral support left size 1, complete	1	Pc.
	3235-2710E	Lateral support left size 2 XL, complete	1	Pc.
2-5	3211-2720E	Lateral support right size 1, complete	1	Pc.
	3235-2720E	Lateral support right size 2 XL, complete	1	Pc.
1	3201-2714-032	Formed part, left, size 1	1	Pc.
	3235-2711-032	Formed part, left, size 3	1	Pc.
2	3211-2712	Pad hinge	2	Pc.
3	1039-0003	Screw for plastic 4x12	2	Pc.
4	1501-0003	Velcro fastener 25x100mm	0,1	mtr
5	3201-2724-032	Formed part, right, size 1	1	Pc.
	3235-2721-032	Formed part, right, size 3	1	Pc.

Spare parts



Pos	Article number	Articel description	Quantity	Unit
1-10	3211-2800E-xxx	Back insert DURO, size 1, complete	1	Pc.
	3212-2800E-xxx	Back insert DURO, size 2 , complete	1	Pc.
1	3211-2810-xxx	Back frame DURO, size 1	1	Pc.
	3212-2810-xxx	Back frame DURO size 2	1	Pc.
2-5	3201-2822E-xxx	Back panel size 1	1	Pc.
	3203-2822E-xxx	Back panel size 2	1	Pc.
3	1501-0003	Hook strap self adhesive 25x50	1	Pc.
4	1501-0003	Hook strap self adhesive 25x200	1	Pc.
5	1144-0001	KS-Profil PVC	1	Pc.
6	1030-0512	Button head socket screw M5x12	2	Pc.
7	1055-0005	Washer A5,3	2	Pc.
8	1044-0005	Hexagonal domed cap nut self-locking M5	2	Pc.
9	1026-0516	Mushroom head square neck bolt M5x16	2	Pc.
10	1123-0500	Wing nut PA black M5	2	Pc.

Spare parts

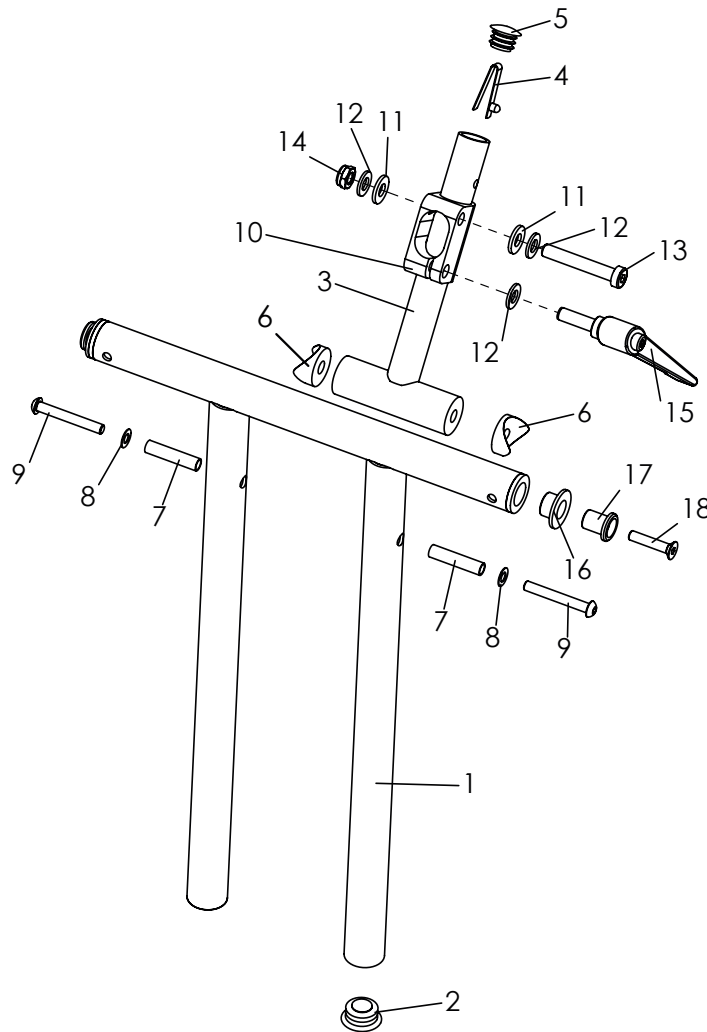


Pos	Article number	Articel description	Quantity	Unit
1-3	3211-5100E-xxx	DURO upholstery size 1 (retrofit)	1	Pc.
	3212-5100E-xxx	DURO upholstery size 2 (Retrofit)	1	Pc.
1	3231-5120-xxx	Back upholstery size 1	1	Pc.
	3235-5120-xxx	Back cushion size 2 XL	1	Pc.
2	3201-5160E-xxx	Lateral upholstery size 1	1	Pc.
	3235-5160E-xxx	Lateral upholstery size 2 XL	1	Pc.
3	3211-5140-xxx	Seat upholstery with calves cover size 1	1	Pc.
	3212-5140-xxx	Seat upholstery with calves cover size 2	1	Pc.
4	3231-2920-346	Upholstery for thigh support size 1, black	1	Pc.
	3233-2920-346	Upholstery for thigh support size 2, black	1	Pc.
5	3201-5150E-xxx	Hip upholstery size 1	1	Pc.
	3203-5150E-xxx	Hip upholstery size 2	1	Pc.
6	3211-1741-022	Supporting bracket, left, white	1	Pc.
	3211-1741-xxx	Supporting bracket, left, matching the upholstery	1	Pc.
	3211-1751-022	Supporting bracket, right, white	1	Pc.
	3211-1751-xxx	Supporting bracket, right, matching the upholstery	1	Pc.
	3211-1742-002	Supporting bracket, left, white	1	Pc.
	3211-1742-xxx	Supporting bracket, left, matching the upholstered support	1	Pc.
	3211-1752-002	Supporting bracket, right, white	1	Pc.
	3211-1752-xxx	Supporting bracket, right, matching the upholstered support	1	Pc.

Replace xxx with color code when ordering!

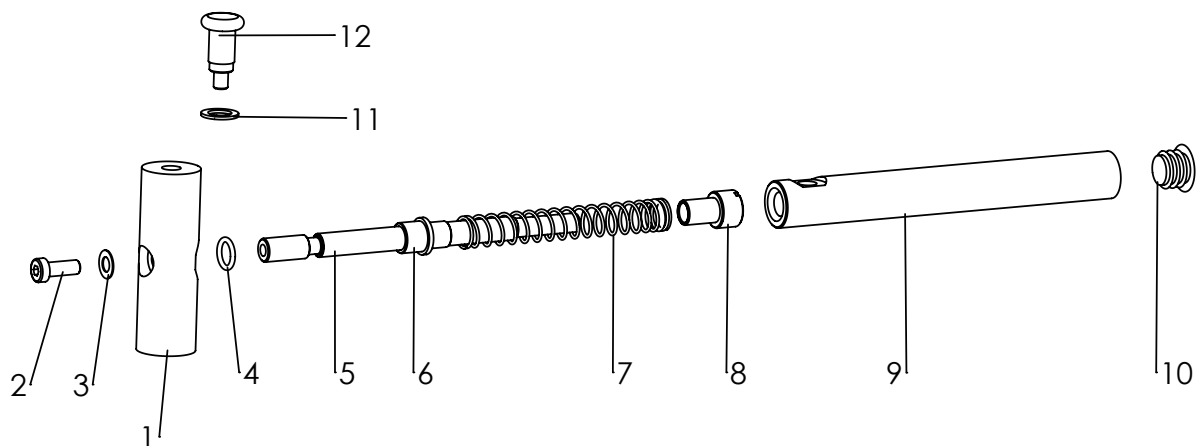
346	347	348	349
black	berry soft	grey soft	turquoise soft

Spare parts



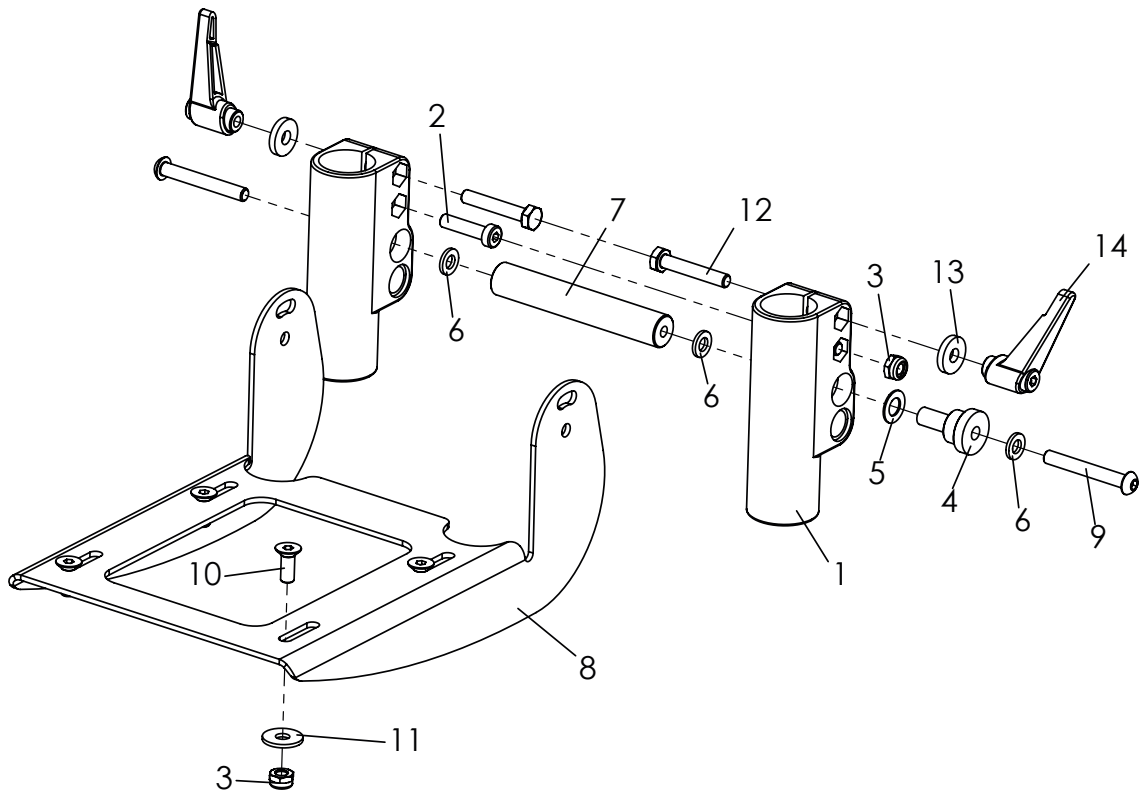
Pos	Article number	Articel description	Quantity	Unit
1-18	3211-2400E-052	Footrest hanger DURO size 1	1	Pc.
	3212-2400E-052	Footrest hanger DURO size 2	1	Pc.
1	3211-2410-052	Bracket for footrest hanger Duro size 1	1	Pc.
	3212-2410-052	Bracket for footrest hanger Duro size 2	1	Pc.
2	1141-0009	Ribbed insert SFL 25x1-2,5	2	Pc.
3	3211-2420-007	Adjustment brase DURO black anodized	1	Pc.
4	1134-0005	Snap button A 102	2	Pc.
5	1141-0006	Ribbed insert SFL 20x0,8-2,5	1	Pc.
6	1111-0012	Saddle washer PA black 24x8.4x3	2	Pc.
7	1114-0047	Bushing steel zp 8x0,9x35	2	Pc.
8	1052-0006	Spring washer B6	2	Pc.
9	1029-0645	Button head socket screw M6x45	2	Pc.
10	3211-2441-007	Clamping block	1	Pc.
11	1113-0035	Washer PA 18x8,4x2 black	2	Pc.
12	1051-0008	Washer A8,4	3	Pc.
13	1022-0850	Hexagon socket head cap screw M8x50	1	Pc.
14	1042-0008	Hexagon nut self-locking M8	1	Pc.
15	1121-0825	Locking lever PA black M8x25	1	Pc.
16	3211-2431	Sholder bushing	2	Pc.
17	3211-2432	Sholder axel	2	Pc.
18	1024-0630	Hexagon socket countersunk head screw zp DIN/ISO 7991 M6x30	2	Pc.

Spare parts



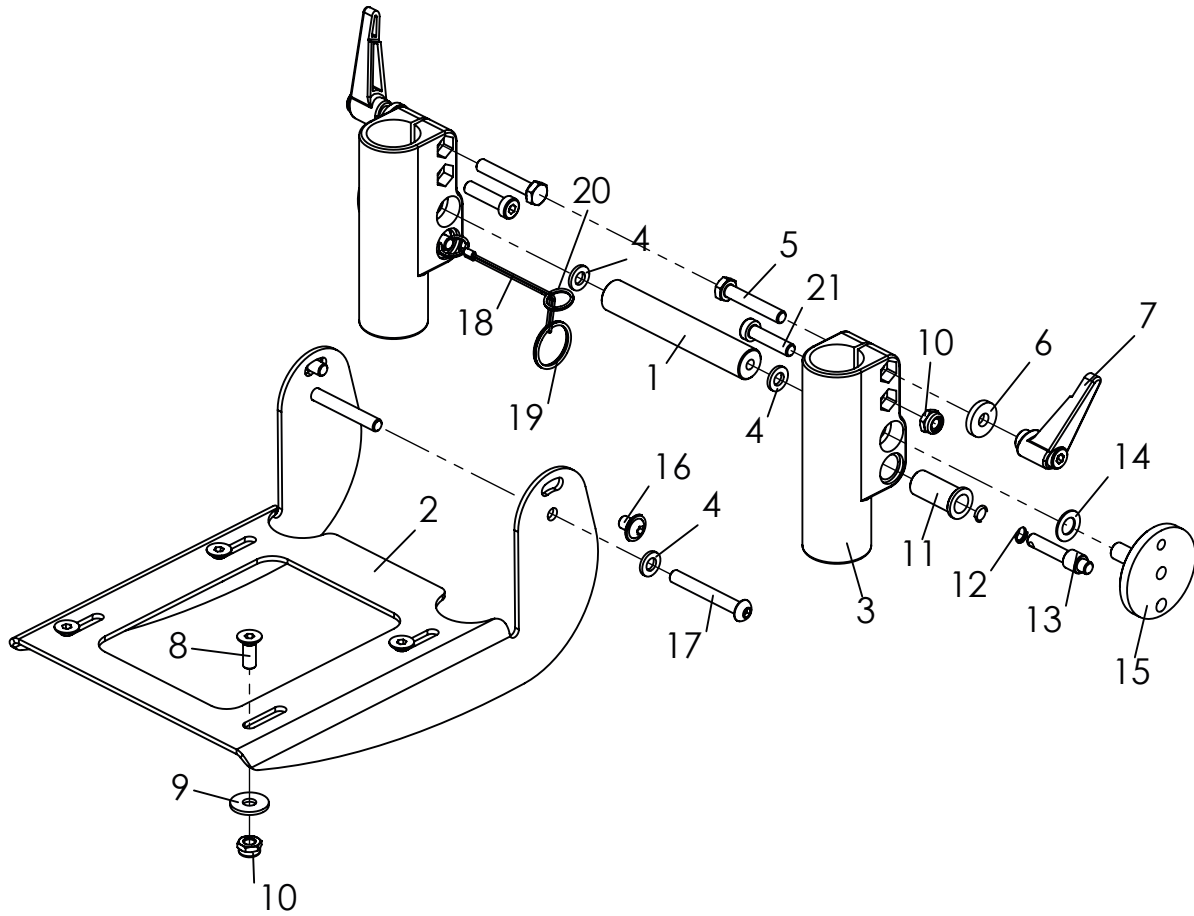
Pos	Article number	Articel description	Quantity	Unit
1-12	3211-2450E	DURO dynamic knee angle adjustment	1	Set
1	3211-2451-007	Bearing clamping shaft Dynamic black	1	Pc.
2	1022-0616	Hexagon socket head cap screw M6x16	1	Pc.
3	1052-0006	Spring washer B6	1	Pc.
4	1150-0002	O-ring 10x2	1	Pc.
5	3211-2453	Drawbar clamping strut dynamics	1	Pc.
6	3211-2454	Guide bushing clamping strut dynamics	1	Pc.
7	1131-0054	Compression spring D-190	1	Pc.
8	3201-2933	Spring bearing, bottom	1	Pc.
9	3211-2452-007	Clamp tube Dynamic footrest black	1	Pc.
10	1141-0006	Ribbed insert SFL 20x0,8-2,5	1	Pc.
11	1059-0001	Shim ring 10x16x1,2	22.	Pc.
12	1127-0010	Lock pin d6xM10xS10x31		Pc.

Spare parts



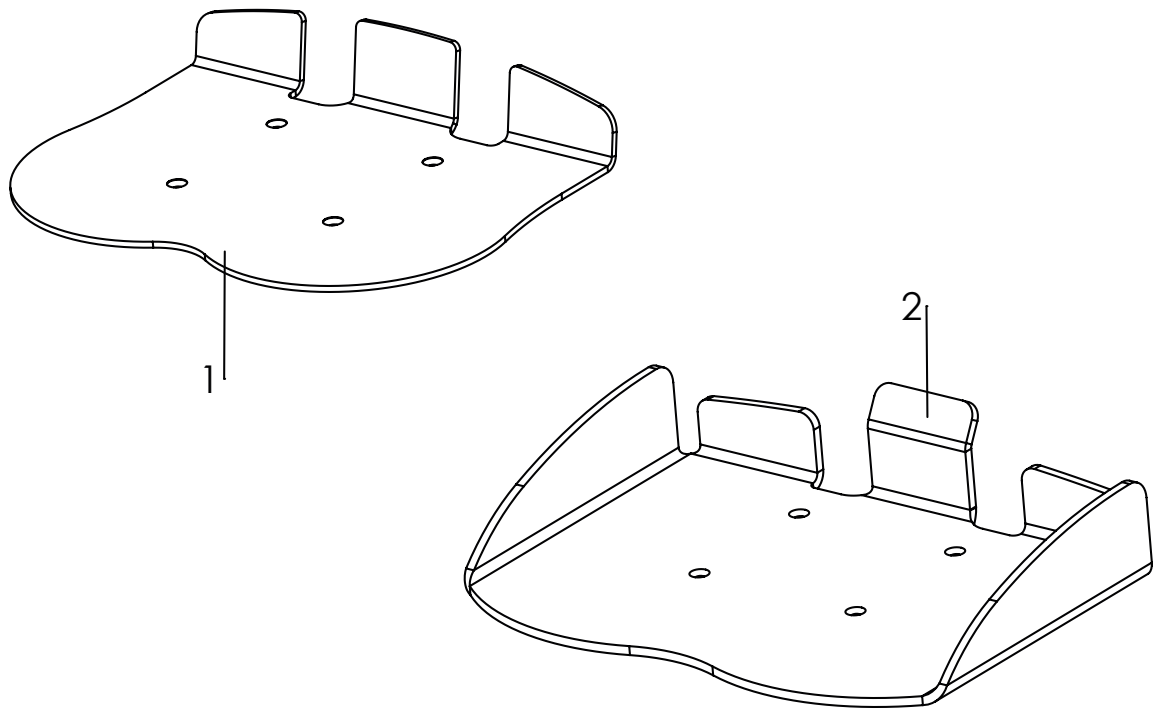
Pos	Article number	Articel description	Quantity	Unit
1-14	3245-4302E	foot rest bracket angle adjustable, flip up type	1	Set
1	3245-4321	Conductor	2	Pc.
2	1022-0625	Hexagon socket head cap screw M6x25	2	Pc.
3	1042-0006	Hexagon nut self-locking M6	6	Pc.
4	3245-4322	Bushing	2	Pc.
5	1052-0008	Spring washer B8	2	Pc.
6	1051-0006	Washer A6,4	4	Pc.
7	3245-4323	Stabiliser	1	Pc.
8	3245-4311-015	Footrest bearing, structural black	1	Pc.
9	1029-0645	Button head socket screw M6x45	2	Pc.
10	1024-0616-033	Hexagon socket countersunk head screw black M6x16	4	Pc.
11	1055-0006	Washer zp A6,4	4	Pc.
12	1011-0635	Hexagon head screw M6x35	2	Pc.
13	1059-0003	Washer M6 (17/6,4x3)	2	Pc.
14	1121-0006	Locking lever M6	2	Pc.

Spare parts



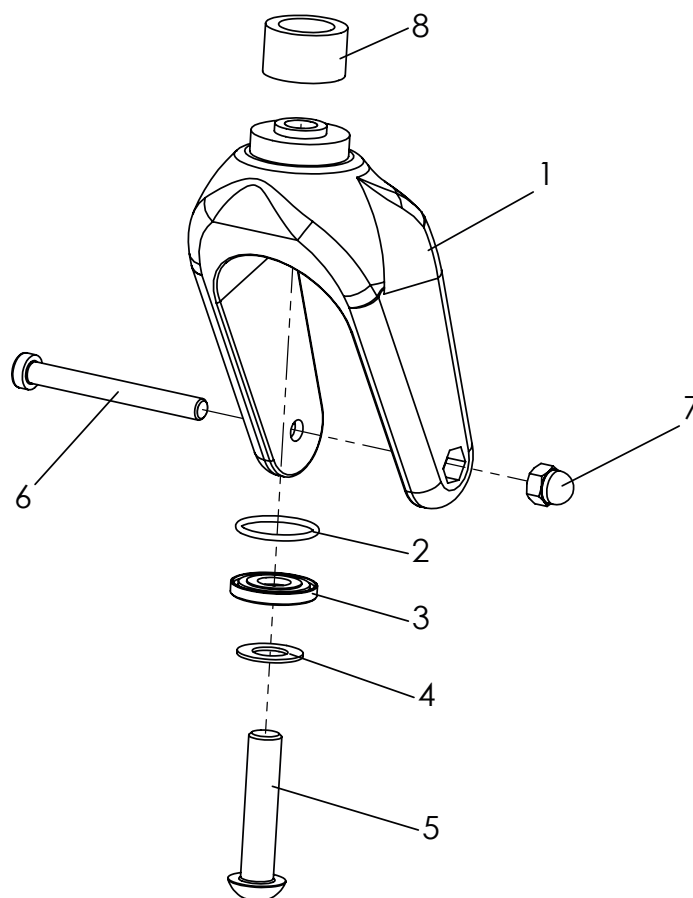
Pos	Article number	Articel description	Quantity	Unit
1-21	3245-4303E	Foot rest bracket angle adjustable, with interlocking	1	Set
1	3245-4323	Stabiliser	1	Pc.
2	3245-4311-015	Foot rest bracket	1	Pc.
3	3245-4321	Conductor	2	Pc.
4	1051-0006	Washer A6,4	4	Pc.
5	1011-0635	Hexagon head screw M6x35	2	Pc.
6	1059-0003	Washer M6 (17/6,4x3)	2	Pc.
7	1121-0006	Locking lever M6	2	Pc.
8	1024-0616-033	Hexagon socket countersunk head screw black M6x16	4	Pc.
9	1055-0006	Washer A6,4	4	Pc.
10	1042-0006	Hexagon nut self-locking M6	6	Pc.
11	3201-7520	Spring housing	2	Pc.
12	1131-0036	Compression spring D-127d 0,8x8,3x29	2	Pc.
13	3201-7530	Lock pin	2	Pc.
14	1052-0008	Spring washer B8	2	Pc.
15	3245-4341	Bearing	2	Pc.
16	1030-0608	Button head socket screw M6x8	2	Pc.
17	1029-0645	Button head socket screw M6x45	2	Pc.
18	3245-4342	Wire rope for foot rest lock	1	Pc.
19	1129-0003	Key ring 24x1,5	1	Pc.
20	1129-0012	Key ring 16x1,3	2	Pc.
21	1022-0625	Hexagon socket head cap screw M6x25	2	Pc.

Spare parts



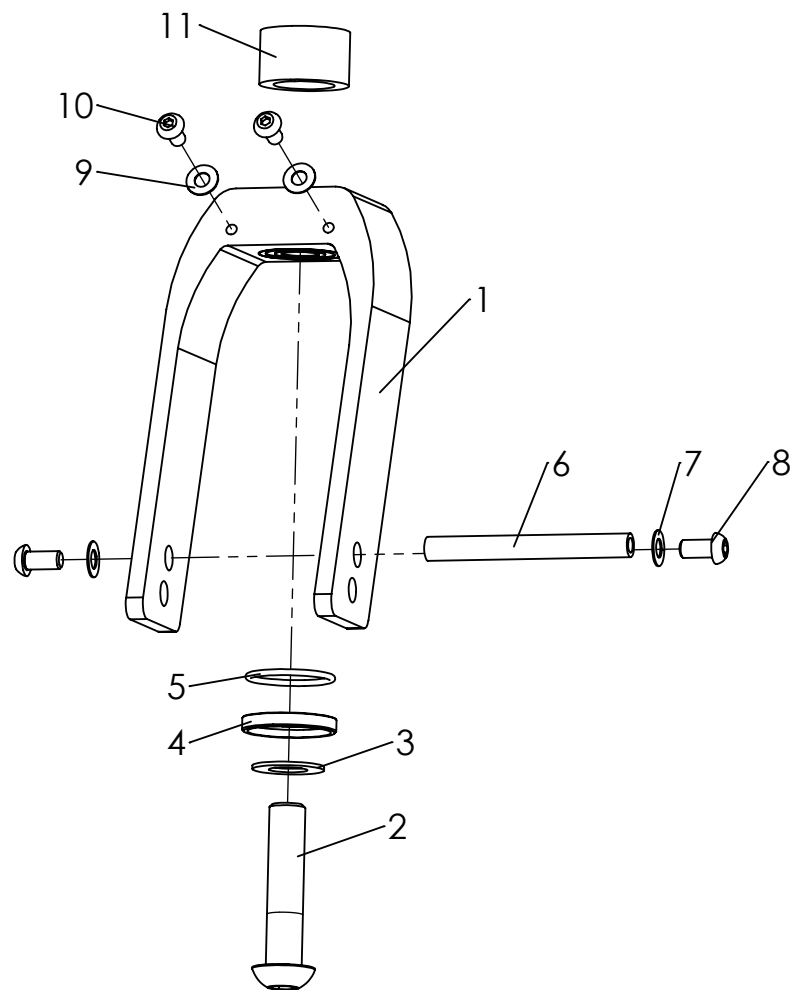
Pos	Article number	Articel description	Quantity	Unit
1	3245-4528	Foot rest with heel stop, 26 cm, recommended for size. 1	1	Pc.
	3245-4532	Foot rest with heel stop, 30 cm, recommended for size. 1	1	Pc.
	3245-4536	Foot rest with heel stop, 34 cm, recommended for size. 2	1	Pc.
	3245-4540	Foot rest with heel stop, 38 cm, recommended for size. 2	1	Pc.
	3245-4544	Foot rest with heel stop, 42 cm, recommended for size. 2	1	Pc.
2	3211-2551	DURO foot plate in boat form size 1	1	Pc.
	3212-2551	DURO foot plate in boat form size 2	1	Pc.

Spare parts



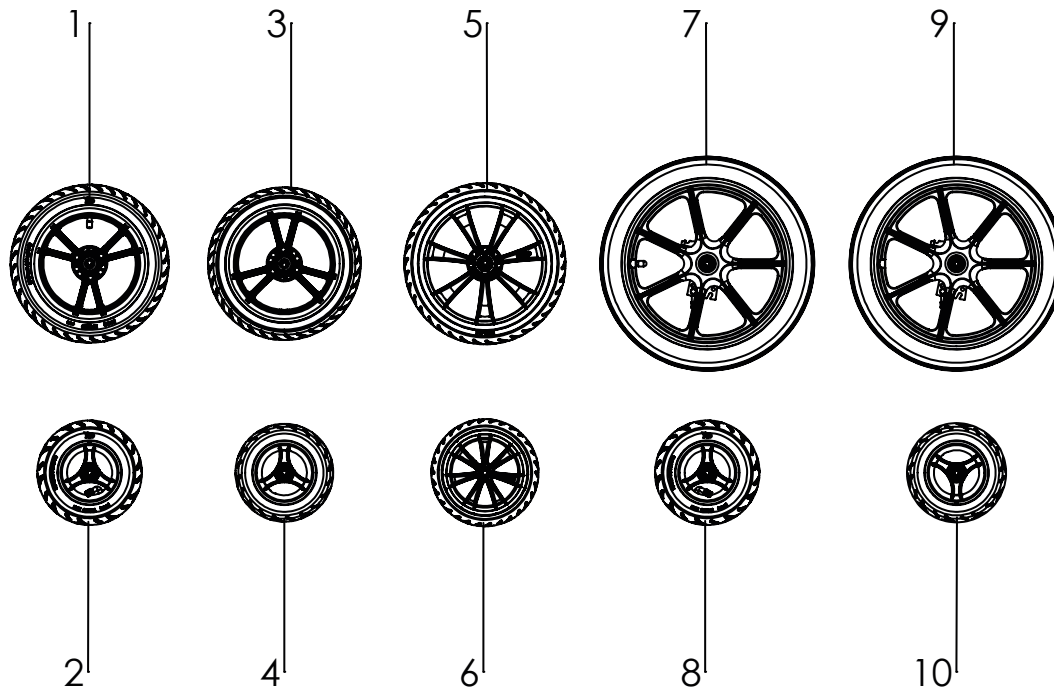
Pos	Article number	Articel description	Quantity	Unit
1-8	1281-1007E	Castor fork with fasteners	2	Pc.
1	1281-0007	Castor fork LG-K-200-12 schw 200x60	2	Pc.
2	1150-0023	O-ring 26x2,2	2	Pc.
3	3224-1174-008	Sealing disc caster fork	2	Pc.
4	1052-0012	Spring washer B12	2	Pc.
5	1029-1255	Button head socket screw M12x55	2	Pc.
6	1022-0875-033	Hexagon socket head cap screw M8x75	2	Pc.
7	1044-0008-033	Hexagonal domed cap nut self-locking M8	2	Pc.
8	3202-1151	Cover ring	2	Pc.

Spare parts



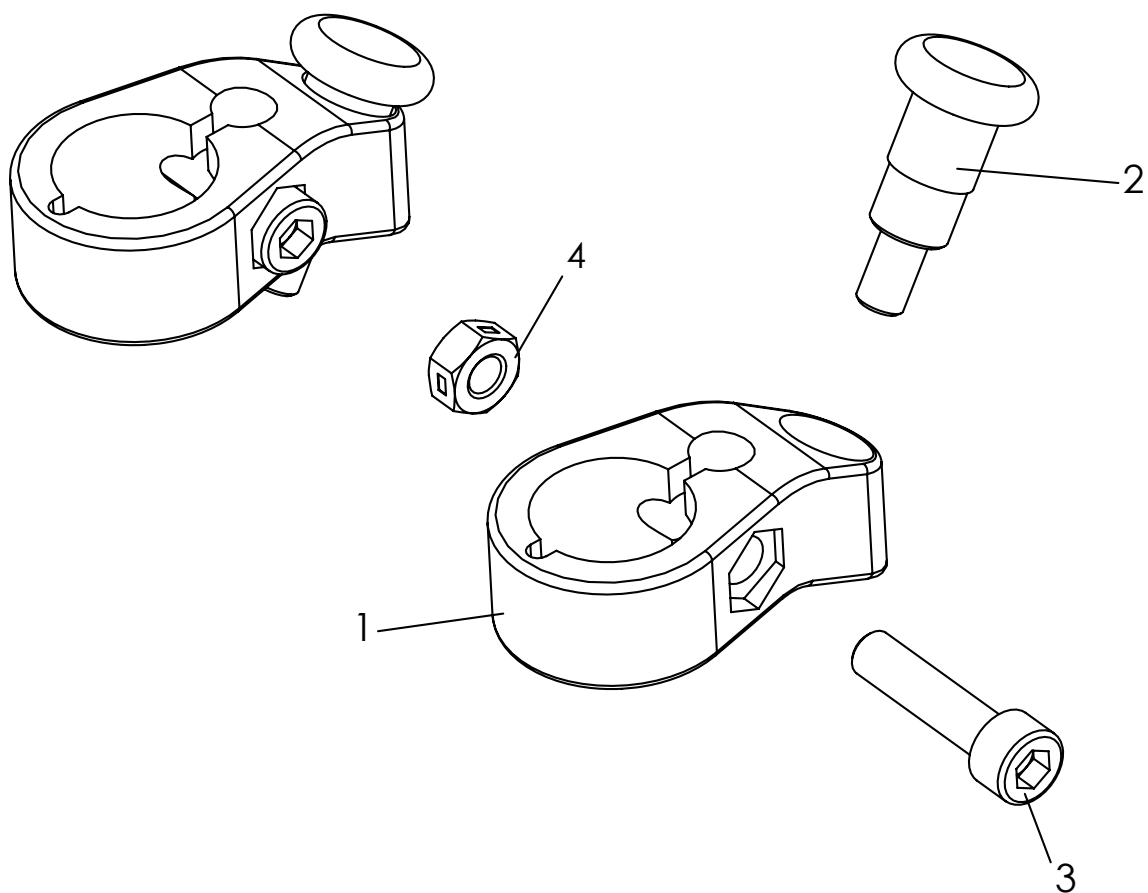
Pos	Article number	Articel description	Quantity	Unit
1-11	1281-1008E	Aluminum front forks	1	Set
1	1281-0026LS-007	Castor fork	2	Pc.
2	1029-1255	button head socket screw M12x55	2	Pc.
3	1052-0012	Spring washer B12	2	Pc.
4	3224-1174-008	sealing disc caster fork	2	Pc.
5	1150-0023	O-ring	2	Pc.
6	1114-0057	Threaded bushing	2	Pc.
7	1052-0006-033	Spring washer B6	4	Pc.
8	1029-6001-033	button head socket screw M6x12	4	Pc.
9	1052-0005	Spring washer B5	4	Pc.
10	1029-0512-033	button head socket screw M5x10	4	Pc.
11	3202-1151	cover ring	2	Pc.

Spare parts



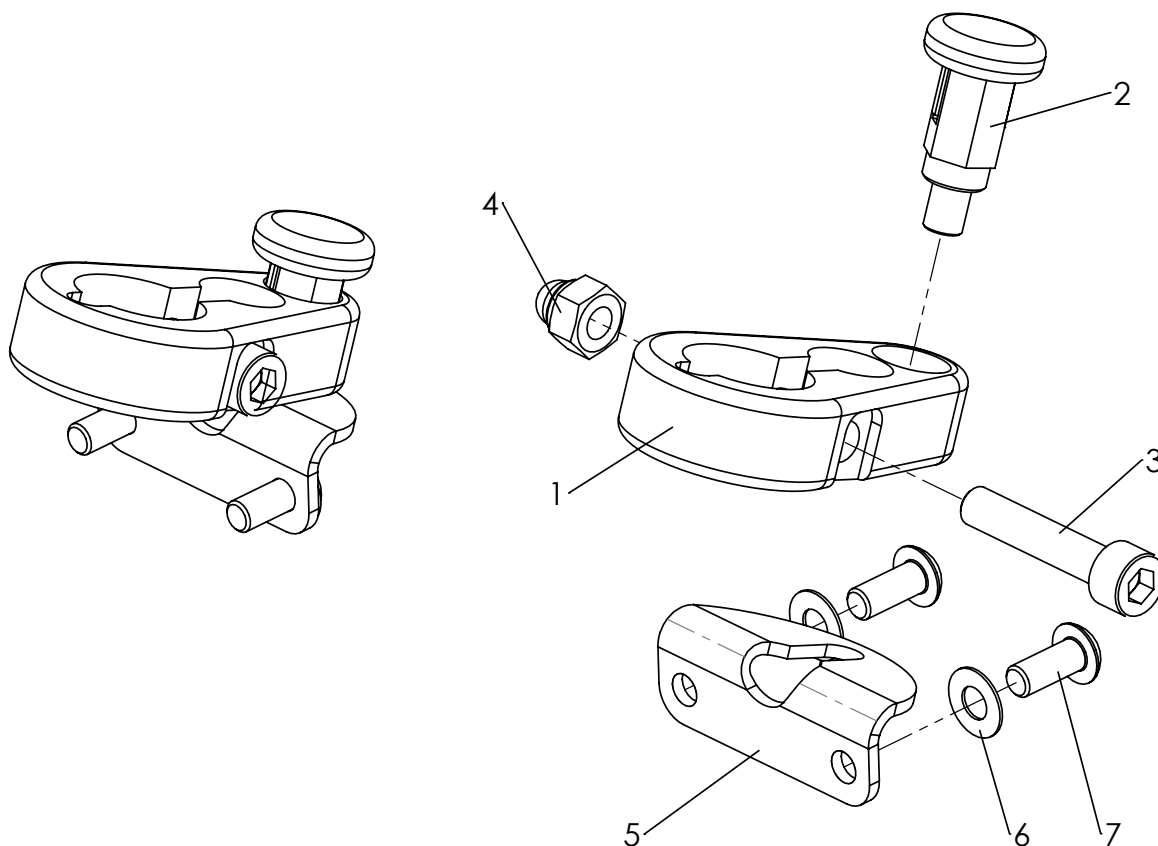
Pos	Article number	Articel description	Quantity	Unit
1	1211-0036	Pneumatic wheel R290/60, black rim, with break disk	2	Pc.
2	1211-0017	Pneumatic wheel 190x50 plastic rim black	2	Pc.
3	1221-0037	PU-wheel 29x60 plastic rim black, with break disk	2	Pc.
4	1221-0017	PU-wheel 190x50 plastic rim black	2	Pc.
5	1221-3063	PU-Wheel R300/60 plastic rim black, with break disk	2	Pc.
6	1221-2049	PU-Wheel R200/48 plastic rim black	2	Pc.
7	1229-0040	Pneumatic wheel black 16 x 1,75", 5 spoke plastic rim, left side	1	Pc.
	1229-0041	Pneumatic wheel black 16 x 1,75", 5 spoke plastic rim, right side	1	Pc.
8	1221-0017	Pneumatic wheel 190x50 with black 3 spoke plastic rim	1	Pc.
9	1219-0040	PU wheel black 400x40, black 5 spoke plastic rim, drum brake left side	1	Pc.
	1219-0041	PU wheel black 400x40, black 5 spoke plastic rim, drum brake right side	1	Pc.
10	1211-0017	PU-wheel 190x50 with black 3 spoke plastic rim	1	Pc.

Spare parts



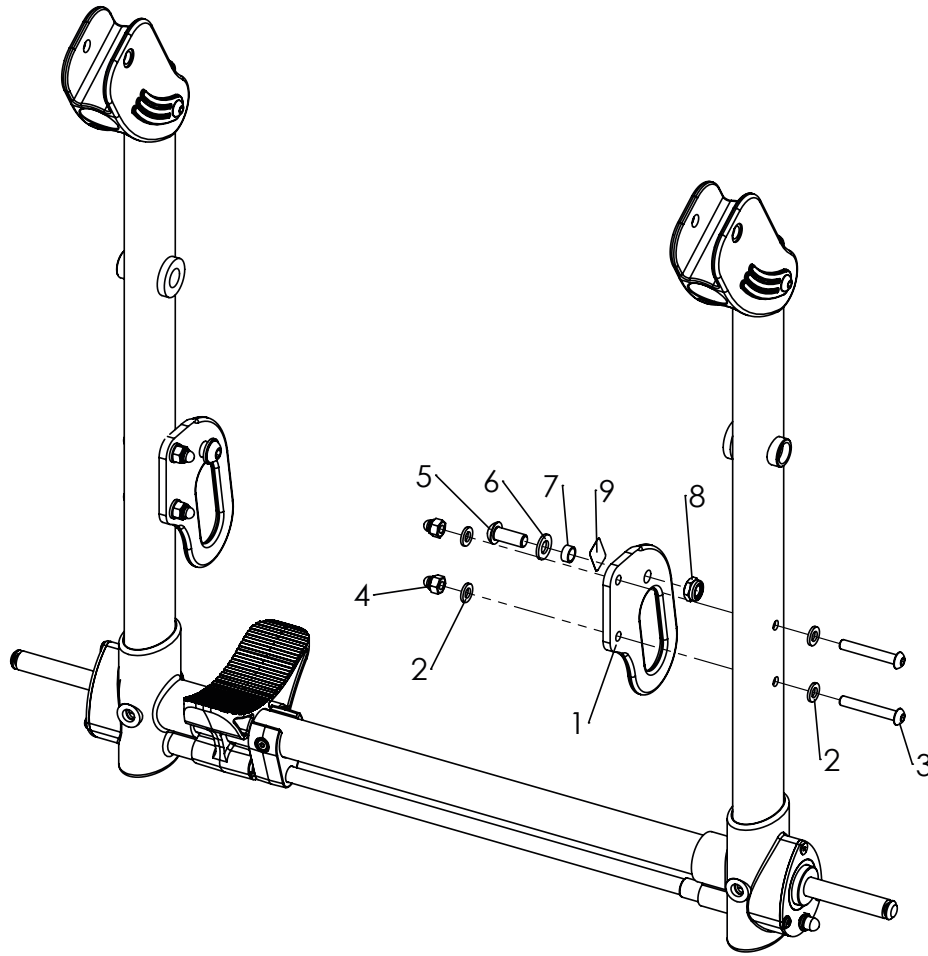
Pos	Article number	Articel description	Quantity	Unit
1-4	3202-7100	Swivel lock, for two castor fork`s	1	Pc.
1	3202-7110	Swivel lock housing	2	Pc.
2	1127-0009	Lock pin, with interlocksystem	2	Pc.
3	1021-0625-033	Hexagon socket head cap screw black M6x25	2	Pc.
4	1049-0070-033	BILOC-nut VM6	2	Pc.

Spare parts



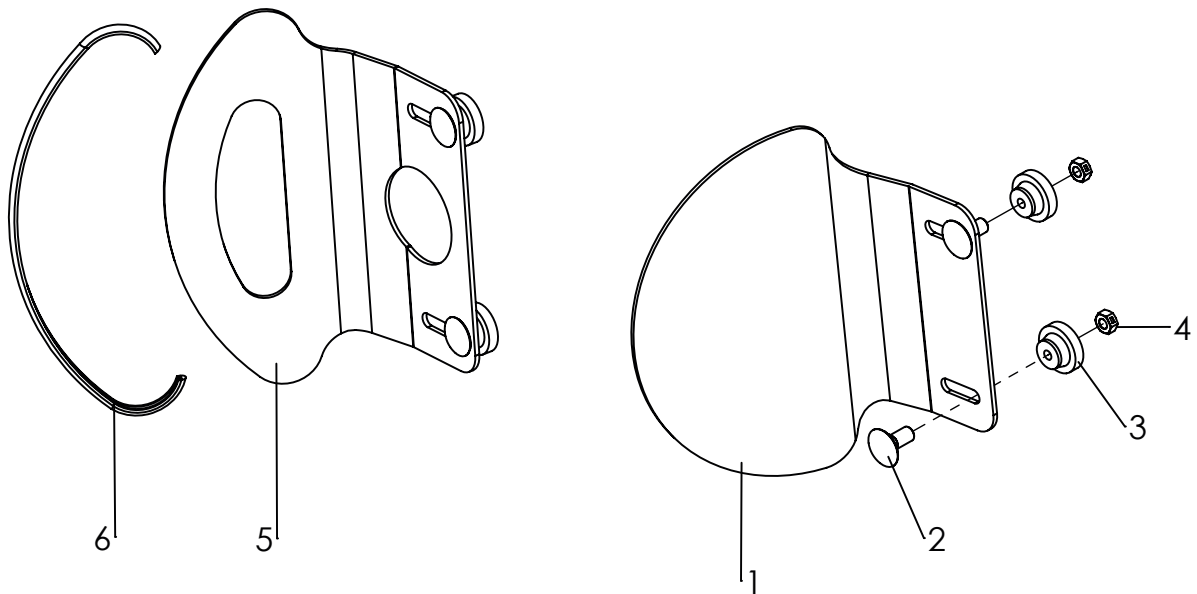
Pos	Article number	Articel description	Quantity	Unit
1-7	3232-7100	Swivel lock	1	Set
1	3232-7111	Swivel lock housing, black	2	Pc.
2	1127-0013	Lock pin with lock	2	Pc.
3	1021-0630	Hexagon socket head cap screw M6x30	2	Pc.
4	1044-0006	Hexagonal domed cap nut self-locking M6	2	Pc.
5	3232-7121-015	Catch plate black	2	Pc.
6	1052-0005	Spring washer B5	4	Pc.
7	1029-0512-033	Button head socket screw M5x10	4	Pc.

Spare parts



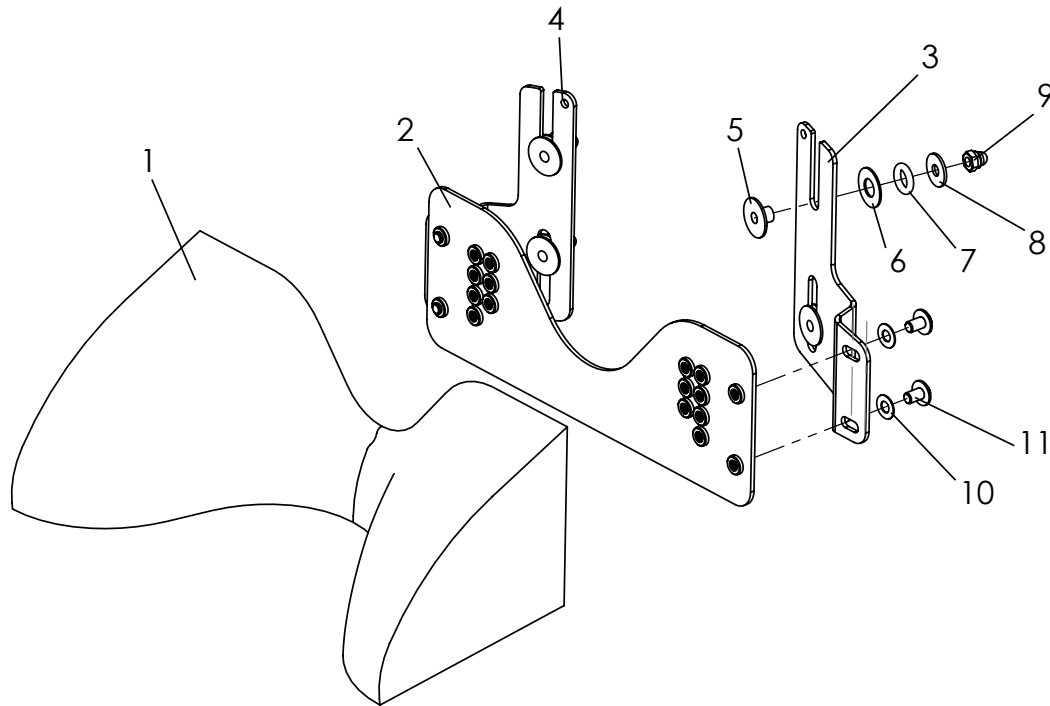
Pos	Article number	Articel description	Quantity	Unit
1-9	3211-7300-052	Tie down kit DURO	1	Set
1	3211-7311-052	Lashing, DURO	2	Pc.
2	1051-0006	Washer A6,4	8	Pc.
3	1029-0640	Button head socket screw M6x40	4	Pc.
4	1044-0006	Hexagonal domed cap nut self-locking M6	4	Pc.
5	1029-0820	Button head socket screw M8x20	2	Pc.
6	1051-0008	Washer A8,4	4	Pc.
7	3201-7350	Slide bushing	2	Pc.
8	1042-0008	Hexagon nut self-locking M8	2	Pc.
9	1914-0007	Adhesive lable with hook symbol	1	Set

Spare parts



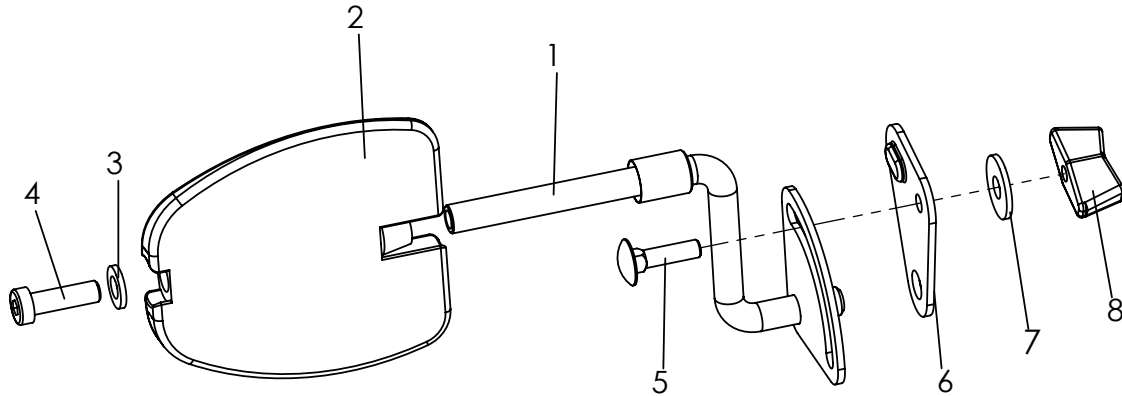
Pos	Article number	Articel description	Quantity	Unit
1-4	3201-7600-xxx	Headrest pads without upholstery size 1	1	Pc.
	3203-7600-xxx	Headrest pads without upholstery size 2	1	Pc.
2-6	3231-7600-xxx	Headrest pads low version without upholstery size 1	1	Pc.
	3233-7600-xxx	Headrest pads low version without upholstery size 2	1	Pc.
1	3201-7610-032	headrest pads size 1, black dull matt	2	Pc.
	3203-7610-032	headrest pads size 2, black dull matt	2	Pc.
2	1026-0520	Mushroom head square neck bolt M5x20	4	Pc.
3	1124-0500	Knurled nut M5	4	Pc.
4	1049-0066	BILOC-nut M5	4	Pc.
5	3201-7611-032	Head rerst pad size 1, black dull matt	2	Pc.
	3233-7611-032	Headrest pad low profile size 2, black dull matt	2	Pc.
6	1144-0001	KS-Profil PVC	2	Pc.
	3201-7620-323	Head rest upholstery size 1, iron grey	2	Pc.
	3203-7620-323	Head rest upholstery size 2, iron grey	2	Pc.
	3231-7620-323	Head rest upholstery for low profile head rest, size 1, iron grey	2	Pc.
	3233-7620-323	Head rest upholstery for low profile head rest, size 2, iron grey	2	Pc.
	3201-7622	Self adhesive pad size 1	2	Pc.
	3203-7622	Self adhesive pad size 2	2	Pc.

Spare parts



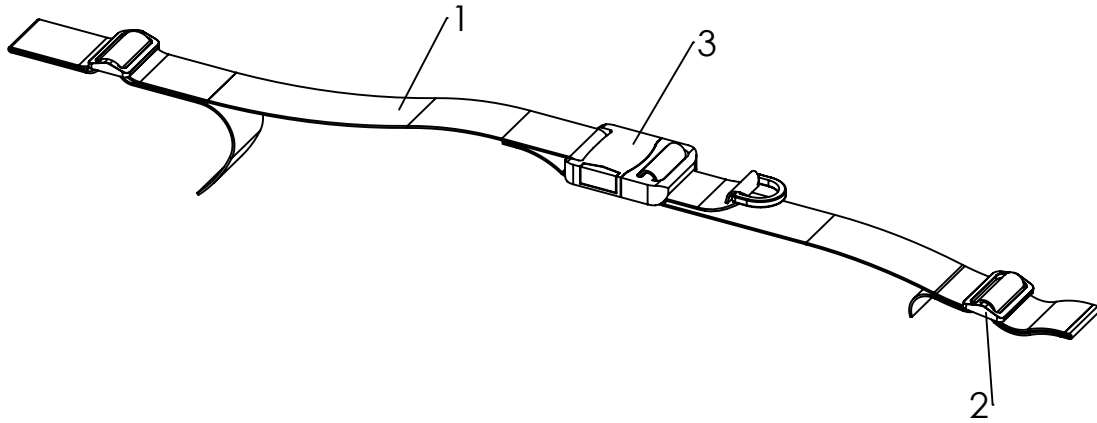
Pos	Article number	Articel description	Quantity	Unit
1-11	3231-6900	anatomical neck-headrest with length compensation, size 1	1	Set
	3233-6900	anatomical neck-headrest with length compensation, size 2	1	Set
1	3210-6930-306	neck headrest size 1	1	Pc.
	3213-6930-306	neck headrest size 2	1	Pc.
2	3231-6921	Threaded plate size 1	2	Pc.
	3233-6921	Threaded plate size 2	2	Pc.
3	3231-6911-052	Guide size 1, left	1	Pc.
	3233-6911-052	Guide size 2, left	1	Pc.
4	3231-6912-052	Guide size 1, right	1	Pc.
	3233-6912-052	Guide size 2, right	1	Pc.
5	3231-6923	Guide bushing	4	Pc.
6	1113-0004	Washer PA 18x8,4x0,8	4	Pc.
7	1150-0009	O-Ring 8x3	4	Pc.
8	1055-0005-033	Washer A5,3	4	Pc.
9	1044-0005-033	Hexagonal domed cap nut self-locking black M5	4	Pc.
10	1052-0005	Spring washer B5	4	Pc.
11	1030-0508	button head socket screw with flange M5x8	4	Pc.

Spare parts



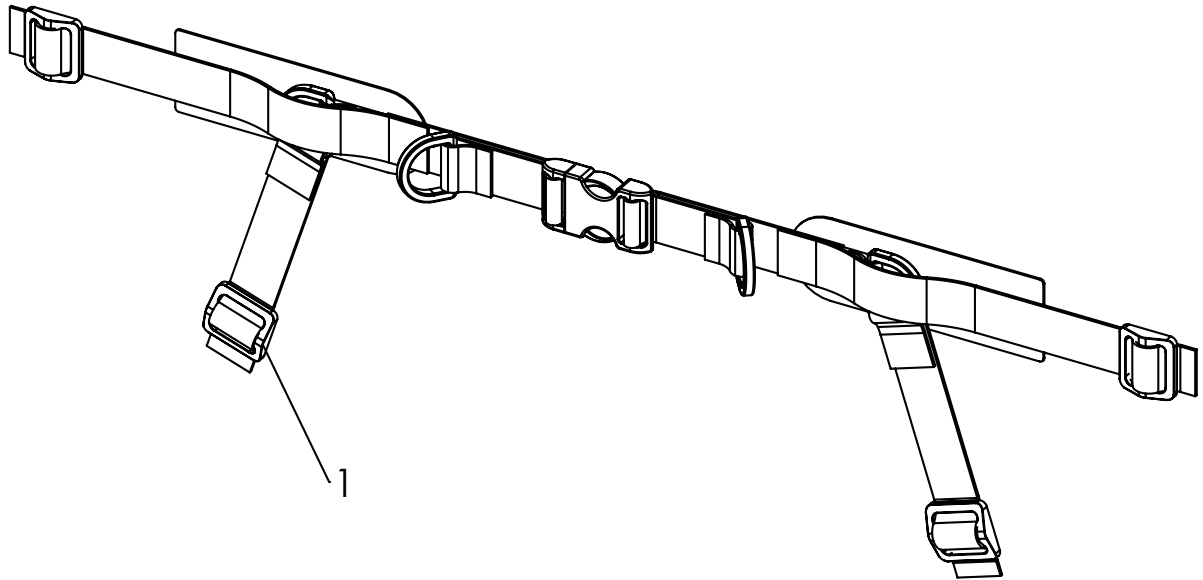
Pos	Article number	Articel description	Quantity	Unit
1-8	3231-7700	Trunk suport size 1, without upholstery	1	Pair
	3233-7700	Trunk suport size 2, without upholstery	1	Pair
	3235-7700	Trunk suport size 3, without upholstery	1	Pair
1	3201-7720-008	Pad crank right size 1	1	Pc.
	3201-7710-008	Pad crank left size 1	1	Pc.
2	3231-7730	Pad size 1	2	Pc.
	3233-7730	Pad size 2	2	Pc.
	3234-7730	Pad size 3	2	Pc.
3	1051-0006	Washer A6,4	2	Pc.
4	1022-0620	Hexagon socket head cap screw M6x20, for size 1	2	Pc.
	1022-0640	Hexagon socket head cap screw M6x40, for size 2	2	Pc.
	1022-0650	Hexagon socket head cap screw M6x50, for size 3	2	Pc.
5	1026-0520	Mushroom head square neck bolt M5x20	2	Pc.
6	3201-7717-008	Bracket of trunk support right	1	Pc.
	3201-7716-008	Bracket of trunk support left	1	Pc.
7	1055-0006	Washer A6,4	2	Pc.
8	1123-0500	Wing nut PA black M5	2	Pc.
9	3231-7760-346	Upholstery size 1, black	2	Pc.
	3233-7760-346	Upholstery size 2, black	2	Pc.
	3203-7760-346	Upholstery size 3, black	2	Pc.

Spare parts



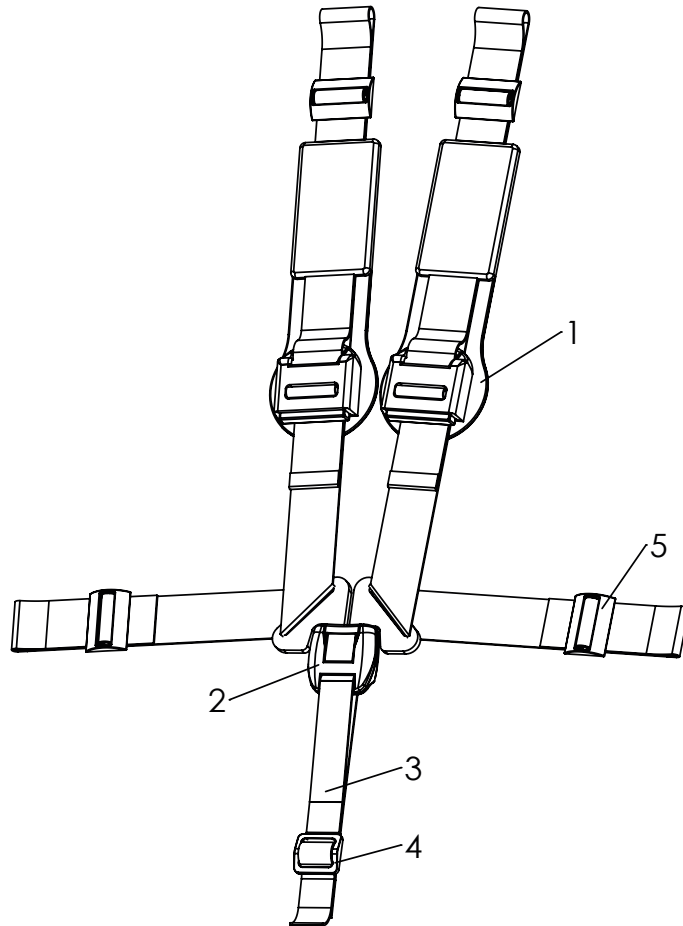
Pos	Article number	Articel description	Quantity	Unit
1-3	3201-6100	Hip belt	1	Pc.
2	1530-0003	Buckle TG 40/N	2	Pc.
3	1531-0002	Buckle SS40/HC	1	Pc.

Spare parts



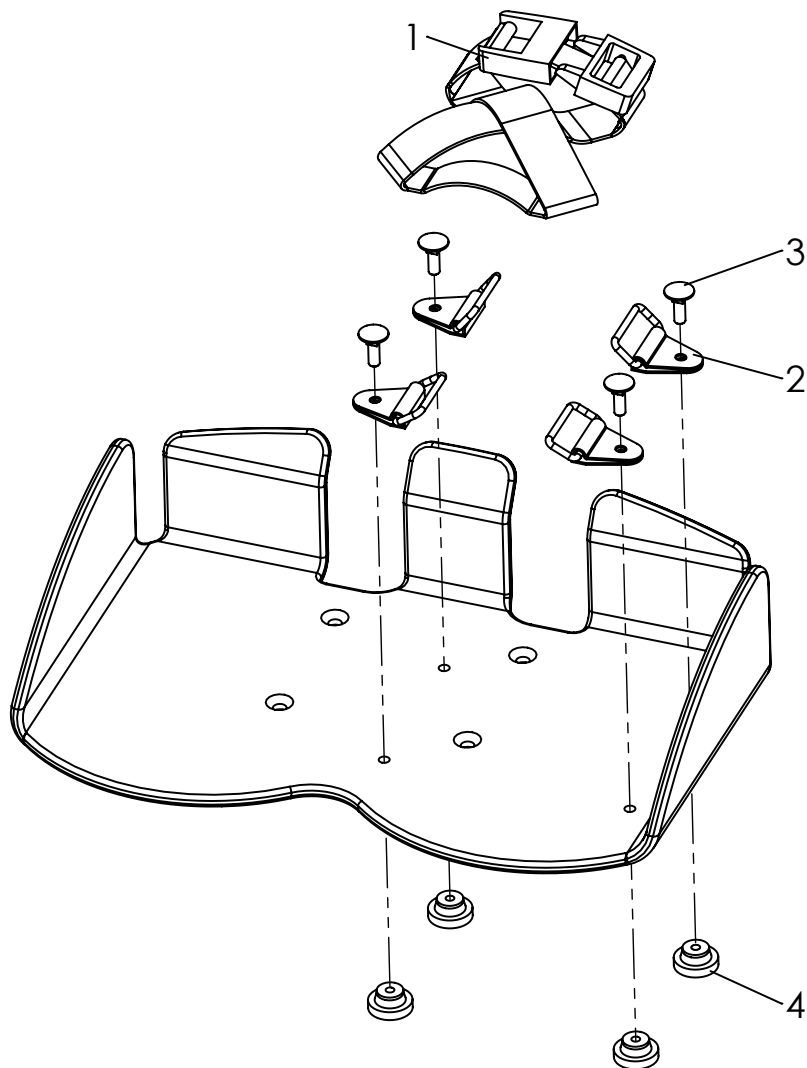
Pos	Article number	Articel description	Quantity	Unit
1-1	3231-6701	Bingo-Evo 4-point lap belt size XS (for seat width 18 - 24)	1	Set
	3231-6702	Bingo-Evo 4-point lap belt size S (for seat width 22 - 30)	1	Set
	3231-6703	Bingo-Evo 4-point lap belt size M (for seat width 28 - 36)	1	Set
	3231-6704	Bingo-Evo 4-point lap belt size L (for seat width 34 - 42)	1	Set
1	1530-0004	Buckle	4	Pc.

Spare parts



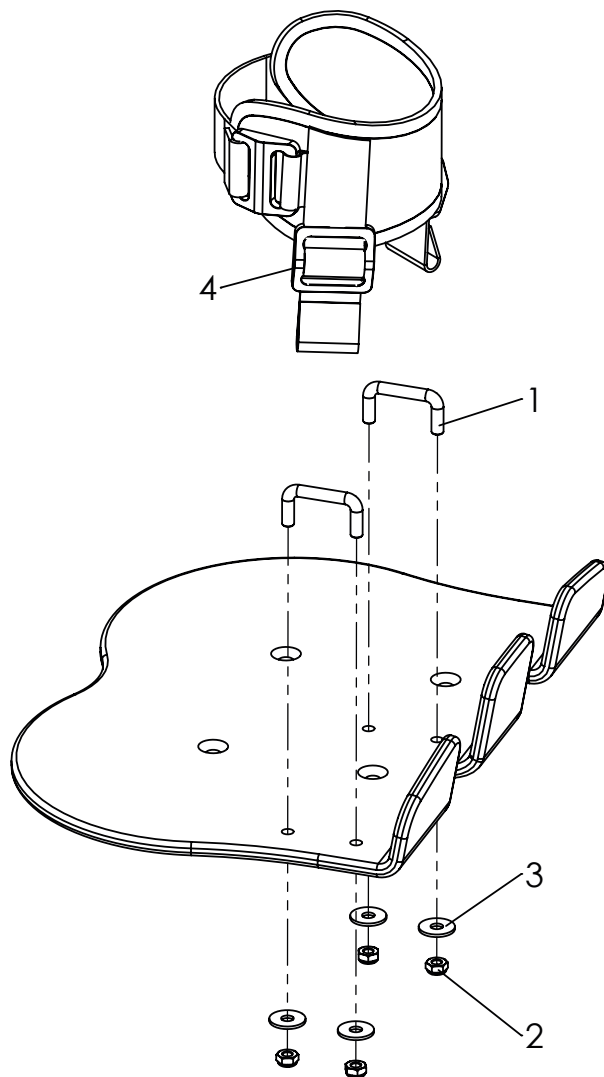
Pos	Article number	Articel description	Quantity	Unit
1-5	3201-6200-346	Five-point harness	1	Set
1	3201-6210-346	Shoulder pads, black	1	Set
2	7000-0025	Five point harness	1	Pc.
3	1512-0013	PP Belt 25x600 black twice sewn	1	Pc.
4	1530-0004	Buckle TG 25/N	1	Pc.
5	1530-0006	Buckle ETG 40	4	Pc.

Spare parts



Pos	Article number	Articel description	Quantity	Unit
1-4	3201-6300	Foot straps	1	Set
1	1531-0001	Buckle QCR 725 STD	2	Pc.
2	1532-0003	Rectangle-ring with plastic tab NY 140 NP/25 black	8	Pc.
3	1026-0516	Mushroom head square neck bolt zp DIN/ISO 603 M5x16	8	Pc.
4	1124-0500	Knurled nut PA black M5	8	Pc.

Spare parts



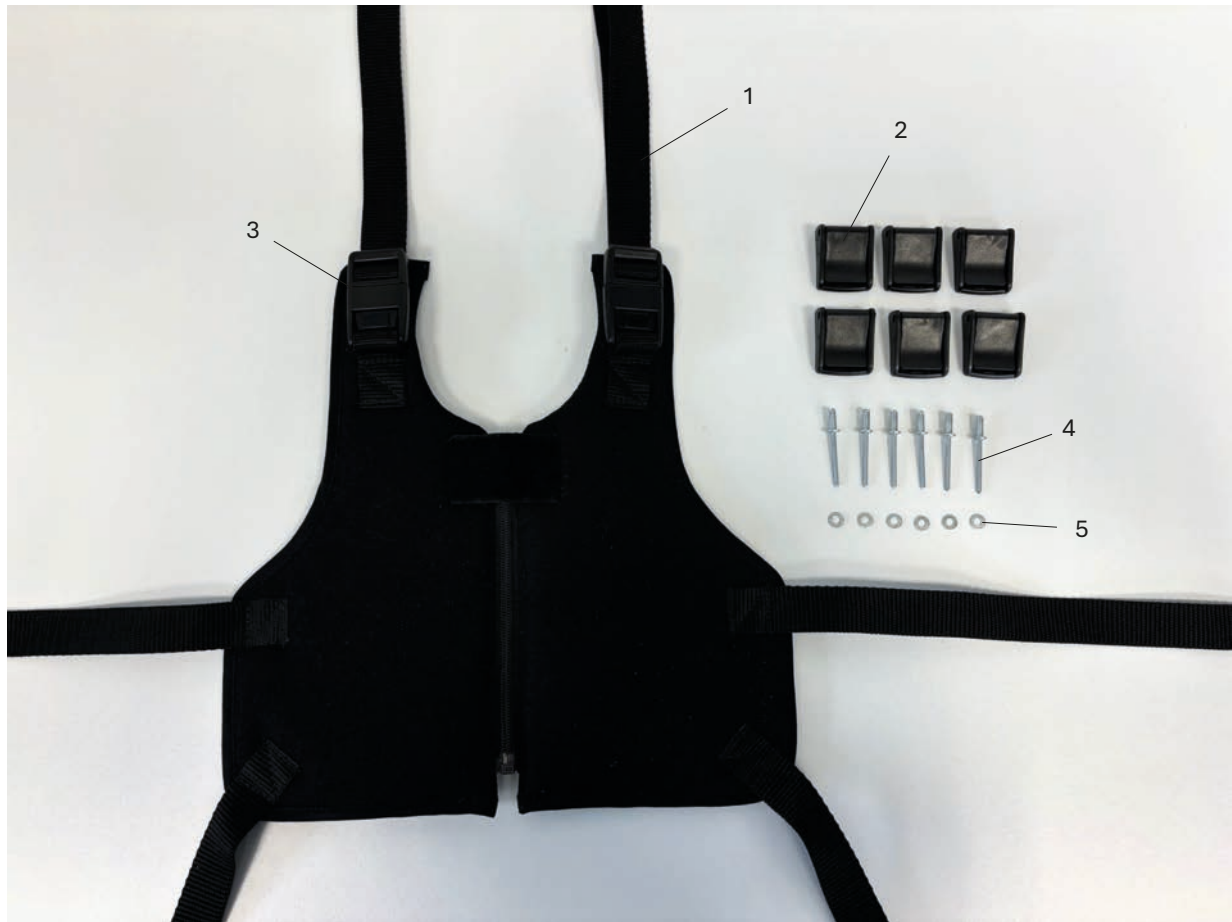
Pos	Article number	Articel description	Quantity	Unit
1-4	3201-6400	Ankle huggers size 1 (diameter approx. 4 - 6.5 cm)	1	Set
	3203-6400	Ankle huggers size 2 (diameter approx. 6 - 8.5 cm)	1	Set
1	3201-6410	Foot strap anchor Gr.1	4	Pc.
	3203-6410	Foot strap anchor size 2	4	Pc.
2	1042-0005	Hexagon nut self-locking zp DIN/ISO 985 M5	8	Pc.
3	1055-0005	Washer A5,3	8	Pc.
4	1530-0004	Buckle TG 25/N	4	Pc.

Spare parts



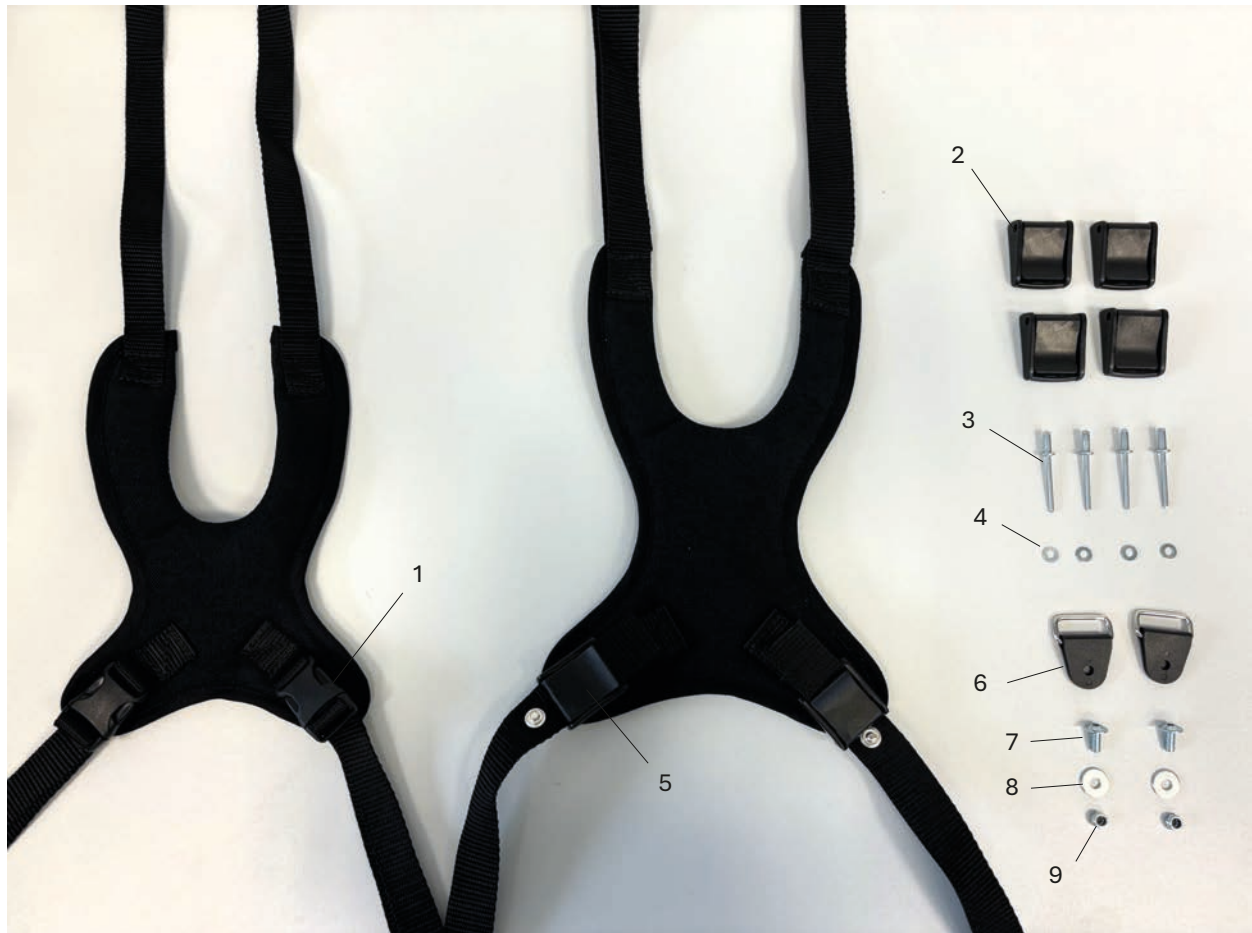
Pos	Article number	Articel description	Quantity	Unit
1-6	3230-5300-346	Groin strap Bingo-Evo size mini, black	1	Set
	3231-5300-346	Groin strap Bingo-Evo size 1, black	1	Set
	3233-5300-346	Groin strap Bingo-Evo size 2, black	1	Set
1	1531-0001	Buckle	2	Pc.
2	1530-0004	Buckle	2	Pc.
3	1532-0003	Rectangle-ring with plastic tab black	2	Pc.
4	1030-0512	Button head socket screw M5x12	2	Pc.
5	1055-0005	Washer A5,3	2	Pc.
6	1042-0005	Hexagon nut self-locking M5	2	Pc.

Spare parts



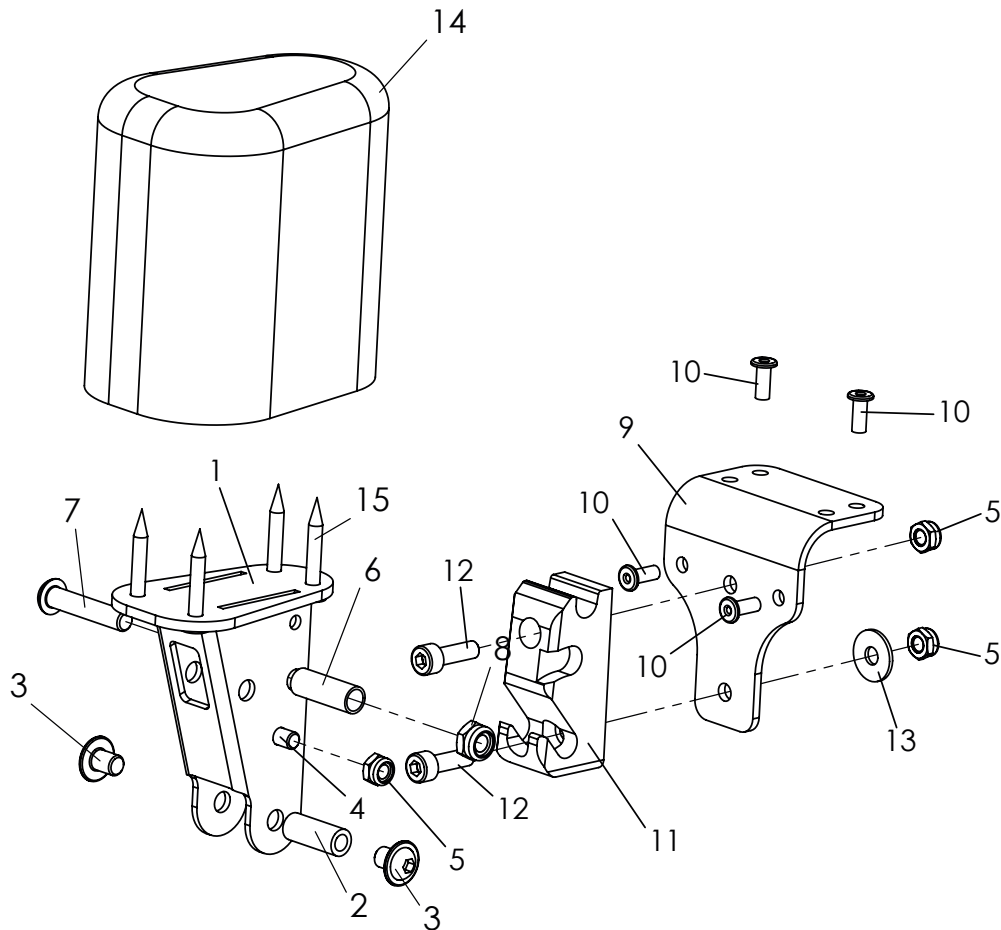
Pos	Article number	Articel description	Quantity	Unit
1-5	3201-5800-346	Fixation jacket size 0, black	1	Set
	3201-5400-346	Fixation jacket size 1, black	1	Set
	3201-5500-346	Fixation jacket size 2, black	1	Set
	3203-5400-346	Fixation jacket size 3, black	1	Set
1	1511-2560	PE-strap 25x600 black	6	Pc.
2	1530-0002	Cam buckle with drilling 4,2	6	Pc.
3	1531-0001	Buckle	2	Pc.
4	1062-0410	Blind rivet F4x10	6	Pc.
5	1051-0004	Washer A4,3	6	Pc.

Spare parts



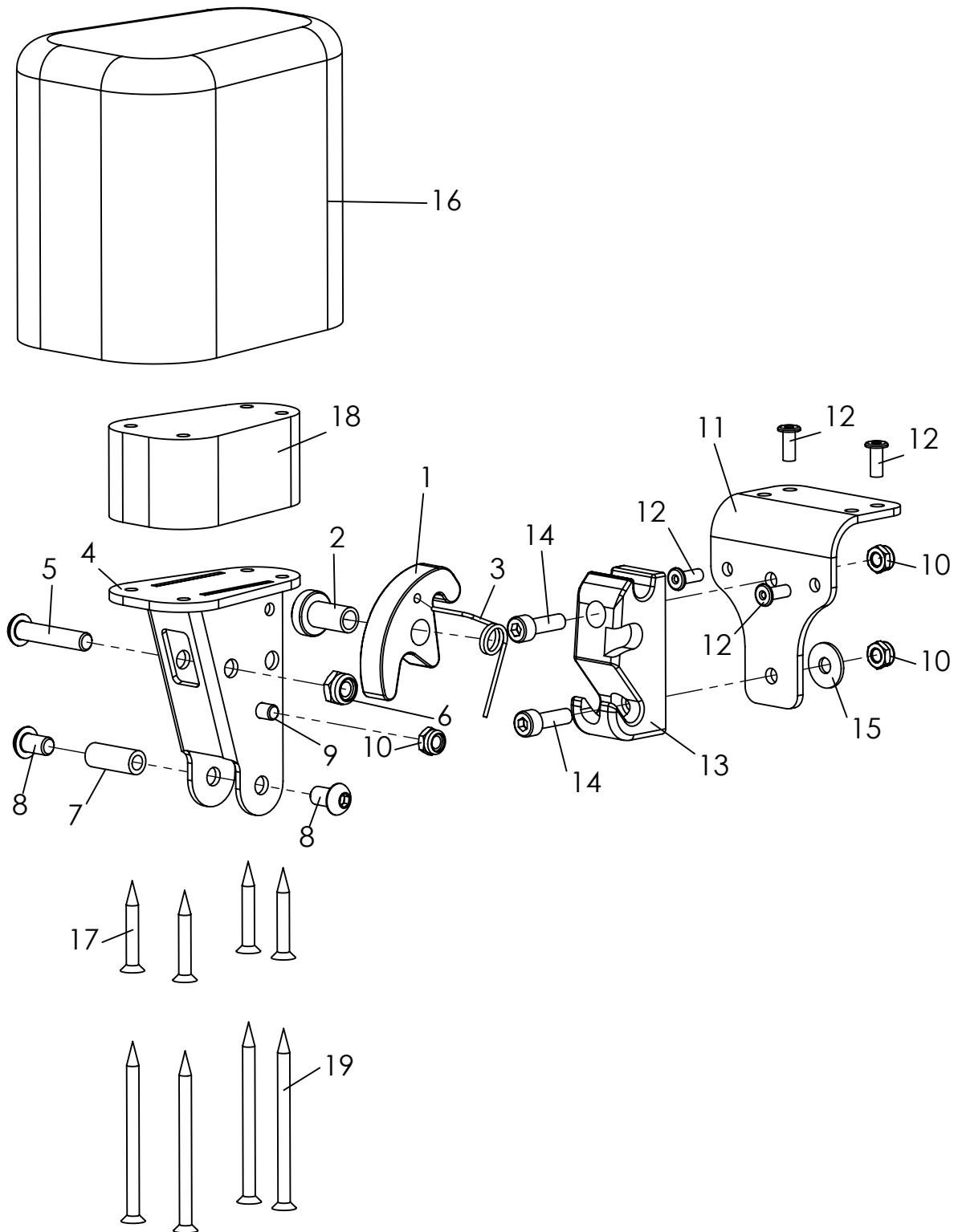
Pos	Article number	Articel description	Quantity	Unit
1-4	3230-5600-346	Chest-shoulder harness size mini, black	1	Set
2-9	3201-5600-346	Chest-shoulder harness size 1, black	1	Set
	3201-5700-346	Chest-shoulder harness size 2, black	1	Set
	3203-5600-346	Chest-shoulder harness size 3, black	1	Set
1	1531-0006	Side Release Buckles	2	Pc.
2	1530-0002	Cam buckle with drilling 4,2	4	Pc.
3	1062-0410	Blind rivet F4x10	4	Pc.
4	1051-0004	Washer A4,3	4	Pc.
5	1530-0001	Cam buckle	2	Pc.
6	1532-0003	Rectangle-ring with plastic tab black	2	Pc.
7	1030-0514	Button head socket screw with flange M5x14	2	Pc.
8	1055-0005	Washer A5,3	2	Pc.
9	1044-0005	Hexagonal domed cap nut self-locking M5	2	Pc.

Spare parts



Pos	Article number	Articel description	Quantity	Unit
1-15	3231-7801	Bingo-Evo abduction block size 1 fixed, with out cover	1	Pc.
	3231-7901	Bingo-Evo abduction block size 2 fixed, with out cover	1	Pc.
	3233-7801	Bingo-Evo abduction block size 3 fixed, with out cover	1	Pc.
1	3231-7820-032	A-wedge support	1	Pc.
2	1114-0067	Threaded bushing 8xM6x20	1	Pc.
3	1030-0608	button head socket screw with flange M6x8	2	Pc.
4	1021-0508	Cylinder head screw M5x8	1	Pc.
5	1042-0005	Hexagon nut self-locking M5	3	Pc.
6	1114-0012	Bushing zp 8x0,8x22,5	1	Pc.
7	1029-0630	button head socket screw M6x30	1	Pc.
8	1042-0006	Hexagon nut self-locking M6	1	Pc.
9	3231-7831-032	Base plate abduction block receiver	1	Pc.
10	1062-0410	Blind rivet F4x10	4	Pc.
11	3231-7832	Arresting part for A-wedge	1	Pc.
12	1021-0516	Hexagon socket head cap screw M5x16	2	Pc.
13	1055-0005	Washer A5,3	1	Pc.
14	3201-7810	Wood wedge size 1 with PU-foam	1	Pc.
	3201-7910	Wood wedge size 2 with PU-foam	1	Pc.
	3203-7810	Wood wedge size 3 with PU-foam	1	Pc.
15	1028-0430	Pressboard screw countersunk head 4x30	4	Pc.
	3201-7840-346	Cover for abduction block size 1 black	1	Pc.
	3201-7940-346	Cover abduction block size 2 black	1	Pc.
	3203-7840-346	Cover for abduction block size 3 black	1	Pc.

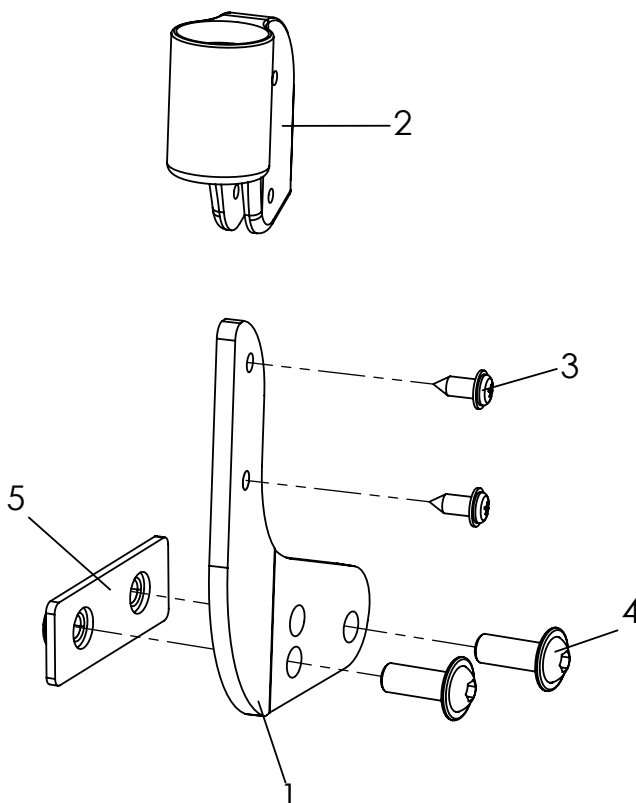
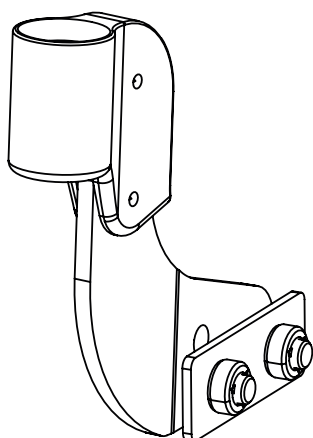
Spare parts



Spare parts

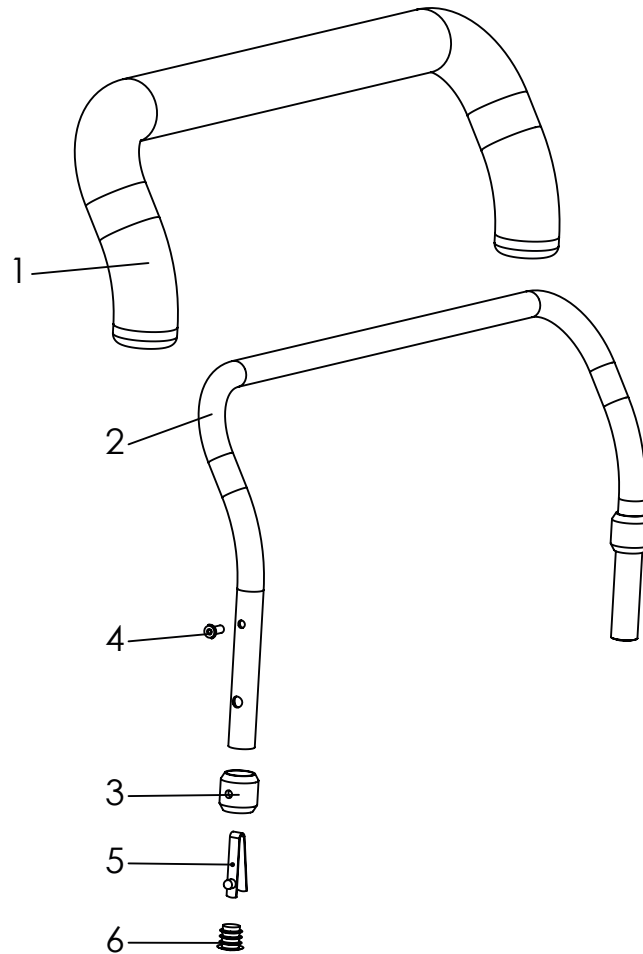
Pos	Article number	Articel description	Quantity	Unit
1-17	3231-7800	Abduction block size 1 swing&detachable, without cover	1	Pc.
	3231-7900	Abduction block size 2 swing&detachable, without cover	1	Pc.
	3233-7800	Abduction block size 3 swing&detachable, without cover	1	Pc.
1	3231-7841	Arresting clamp	1	Pc.
2	3231-7842	Bearing arresting clamp	1	Pc.
3	3231-7843	Leg spring 1,25 x 9,25 x 2,25	1	Pc.
4	3231-7820-032	A-wedge support	1	Pc.
5	1029-0630	Button head socket screw M6x30	1	Pc.
6	1042-0006	Hexagon nut self-locking 985 M6	1	Pc.
7	1114-0067	Threaded bushing 8xM6x20	1	Pc.
8	1030-0608	button head socket screw with flange zp M6x8	2	Pc.
9	1021-0508	Cylinder head screw M5x8	1	Pc.
10	1042-0005	Hexagon nut self-locking M5	3	Pc.
11	3231-7831-032	Base plate abduction block receiver	1	Pc.
12	1062-0410	Blind rivet F4x10	4	Pc.
13	3231-7832	Arresting part for A-wedge	1	Pc.
14	1021-0516	Hexagon socket head cap screw M5x16	2	Pc.
15	1055-0005	Washer A5,3	1	Pc.
16	3201-7810	Wood wedge size 1 with PU-foam	1	Pc.
	3201-7910	Wood wedge size 1 with PU-foam	1	Pc.
	3203-7810	Wood wedge size 1 with PU-foam	1	Set
17	1028-0430	Pressboard screw countersunk head 4x30	4	Pc.
18	3231-7821_SA-0286/2	Spacer plate for A-wedge 30 mm	1	Pc.
19	1028-0460	Pressboard screw countersunk head 4x60	4	Pc.
	3201-7840-346	Cover for abduction block size 1 black	1	Pc.
	3201-7940-346	Cover abduction block size 2 black	1	Pc.
	3203-7840-346	Cover for abduction block size 3 black	1	Pc.

Spare parts



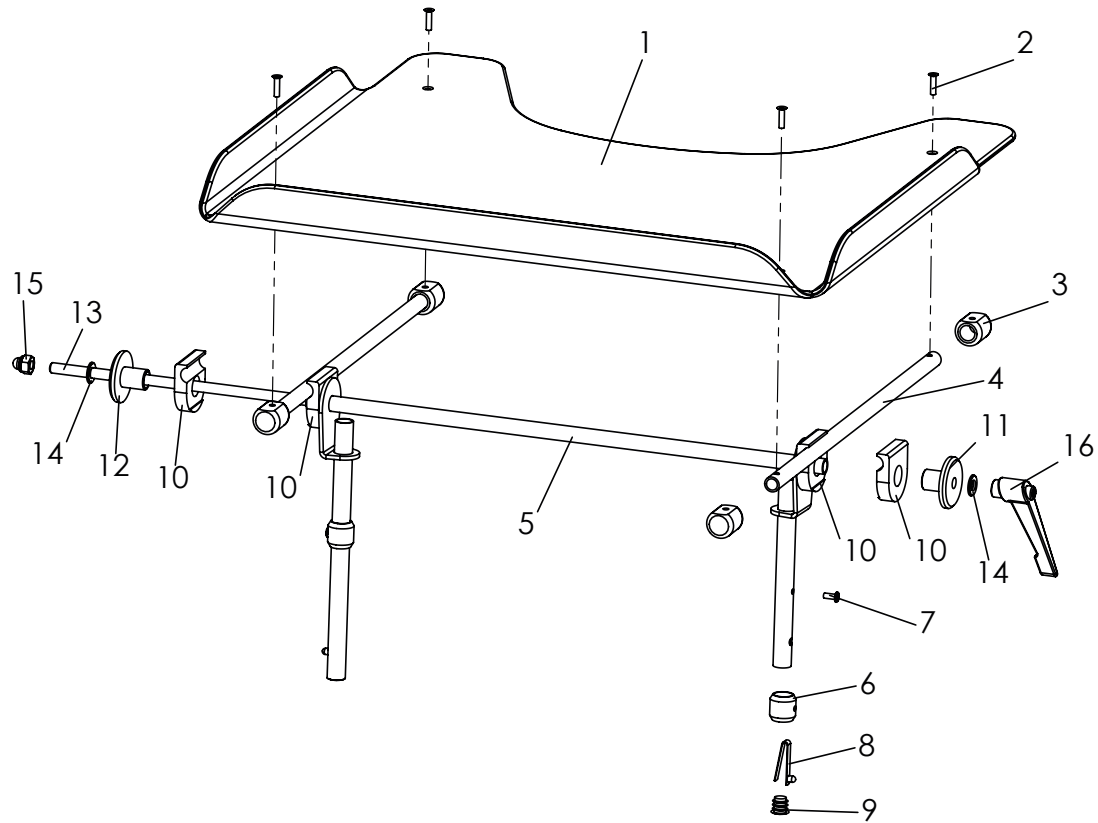
Pos	Article number	Articel description	Quantity	Unit
1-6	3211-2201-052	DURO retainer for accessories grab rail or therapy tray	1	Pc.
1	3211-2232-052	Accessorie retainer left	1	Pc.
2	3231-2232	Retainer for accessories mould part	2	Pc.
3	1039-0001	Screw for plastic, 4x10	4	Pc.
4	1030-0616	Button head socket screw with flange M6x16	4	Pc.
5	3211-2231	Threaded plate M6	2	Pc.
6	3211-2242-052	Accessorie retainer right	1	Pc.

Spare parts



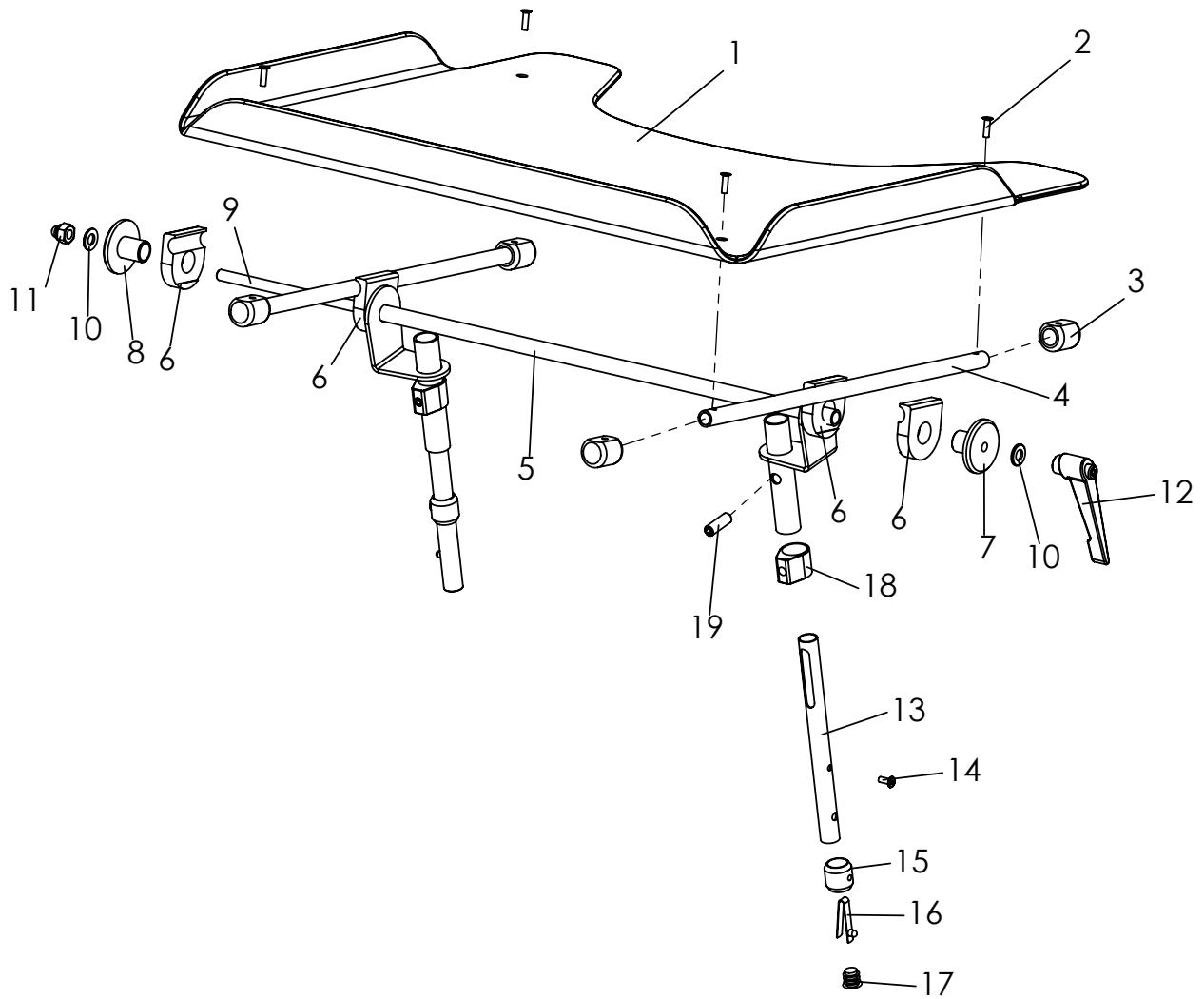
Pos	Article number	Articel description	Quantity	Unit
1-7	3230-8100	Grab rail with upholstery Mini	1	Pc.
	3231-8100	Grab rail with upholstery size 1	1	Pc.
	3233-8100	Grab rail with upholstery size 2	1	Pc.
1	3230-8130	Bend Tube for grab rail size Mini	1	Pc.
	3201-8130	Bend Tube for grab rail size 1	1	Pc.
	3203-8130	Bend Tube for grab rail size 2	1	Pc.
2-4	3230-8110	Upholstery foam material size Mini, (55 cm)	1	Pc.
	3231-8110	Upholstery foam material size 1, (60 cm)	1	Pc.
	3233-8110	Upholstery foam material size 2 (70 cm)	1	Pc.
3	3201-8120	Bushing	2	Pc.
4	1062-0408	Blind rivet St/St DIN/ISO 7337 F4x8	2	Pc.
5	1134-0005	Snap button A 102	2	Pc.
6	1141-0001	Ribbed insert SFL 14x0,8-2	2	Pc.
7	3230-8140-346	Cover of grab rail Mini, black	1	Pc.
	3201-8140-346	Cover of grab rail size 1, black	1	Pc.
	3203-8140-346	Cover of grab rail size 2, black	1	Pc.

Spare parts



Pos	Article number	Articel description	Quantity	Unit
1-16	3211-8200	Therapy tray size Mini, clear	1	Pc.
	3212-8200	Therapy tray size 1, clear	1	Pc.
	3211-8201A	Therapy tray size 2, clear	1	Pc.
	3212-8201A	Therapy tray size Mini, gray	1	Pc.
1	3211-8290	Tray plate only, clear	1	Pc.
	3211-8291	Tray plate only, grey	1	Pc.
2	1063-0416	Blind rivet S4x10	4	Pc.
3	3201-8280	Bearing block	4	Pc.
4	3201-8270-016	Rail	2	Pc.
5-9	3231-8210E-032	Table base frame, size 1	1	Pc.
	3233-8210E-032	Table base frame, size 2	1	Pc.
6	3201-8120	Bushing	2	Pc.
7	1062-0408	Blind rivet F4x8	2	Pc.
8	1134-0005	Snap button A 102	2	Pc.
9	1141-0001	Ribbed insert SFL 14x0,8-2	2	Pc.
10	3201-8230	Clamp half	4	Pc.
11	3201-8240	Clamp disk D 8,5	1	Pc.
12	3201-8250	Clamp disk M8	1	Pc.
13	3231-8260	Thread M8x47,2mm	0,47	m
14	1051-0008	Washer A8,4	2	Pc.
15	1044-0008	Hexagonal domed cap nut self-locking M8	1	Pc.
16	1121-0800	Locking lever PA black M8	1	Pc.

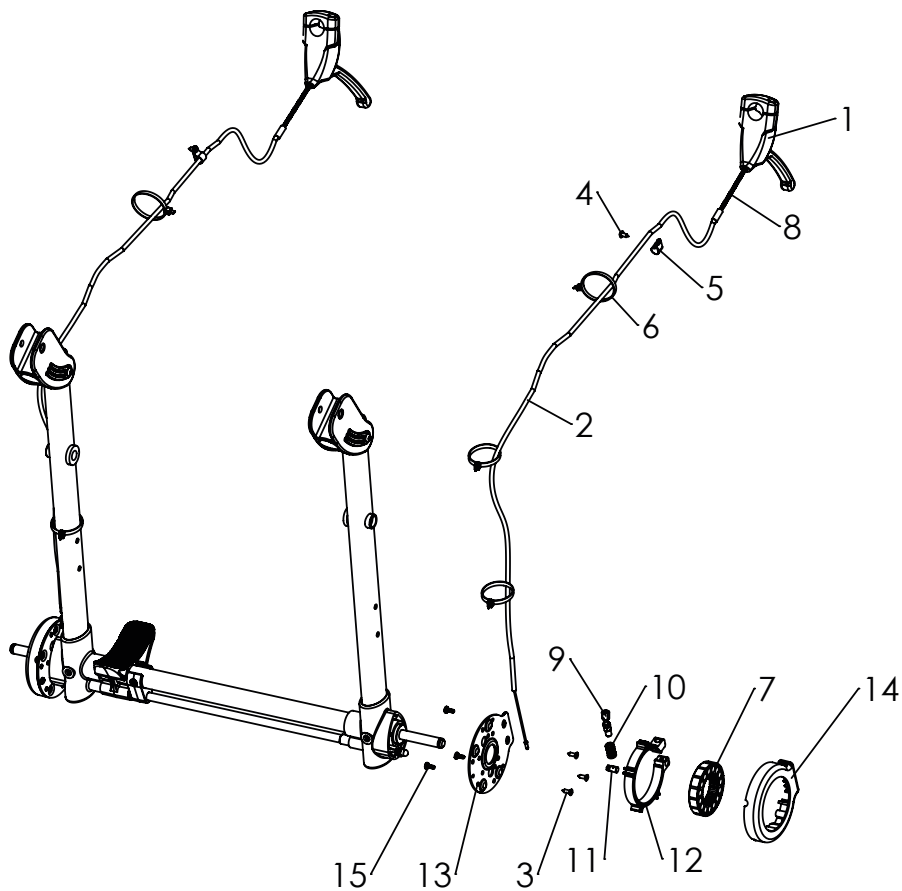
Spare parts



Spare parts

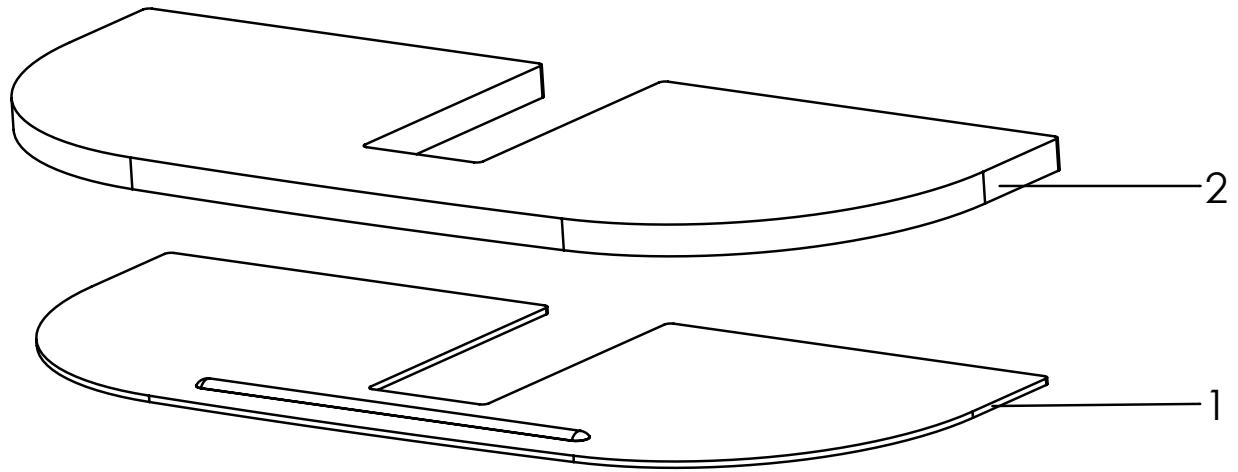
Pos	Article number	Articel description	Quantity	Unit
1-19	3211-8202	Therapy tray size 1, clear, height adjustable	1	Pc.
	3212-8202	Therapy tray size 2, clear, height adjustable	1	Pc.
	3211-8203A	Therapy tray size 1, gray, height adjustable	1	Pc.
	3212-8203A	Therapy tray size 2, gray, height adjustable	1	Pc.
1	3211-8290	Tray plate only, clear	1	Pc.
	3211-8291	Tray plate only, grey	1	Pc.
2	1063-0416	Blind rivet S4x10	4	Pc.
3	3201-8280	Bearing block	4	Pc.
4	3201-8270-016	Rail	2	Pc.
5	3231-8220-032	Table base frame, size 1, height adjustable	1	Pc.
	3233-8220-032	Table base frame, size 2, height adjustable	1	Pc.
6	3201-8230	Clamp half	4	Pc.
7	3201-8250	Clamp disk M8	1	Pc.
8	3201-8240	Clamp disk D 8,5	1	Pc.
9	3231-8260	Threaded rod 8x474	0,47	m
10	1051-0008	Washer A8,4	2	Pc.
11	1044-0008	Hexagonal domed cap nut self-locking M8	1	Pc.
12	1121-0800	Locking lever PA black M8	1	Pc.
13-17	3231-8215E-032	Support tube, adjustabet left	1	Pc.
	3231-8216E-032	Support tube, adjustabet right	1	Pc.
14	1062-0408	Blind rivet F4x8	2	Pc.
15	3201-8120	Bushing	2	Pc.
16	1134-0005	Snap button A 102	2	Pc.
17	1141-0001	Ribbed insert SFL 14x0,8-2	2	Pc.
18	3201-8221	Clamp ring for height adjustable tray	2	Pc.
19	1031-0825	Hexagon socket set screw M8x25	2	Pc.

Spare parts



Pos	Article number	Articel description	Quantity	Unit
1-8	3211-7201	Attendant brake DURO, two hand use	1	Pc.
1	1209-0021	Break lever 80°	2	Pc.
2	1209-0001	Break wire set 1,5m cable, shorten to 105cm	2	Pc.
3	1039-0006	Tapping screw with countersunk head	6	Pc.
4	1039-0001	Screw for plastic, cross rcessed pan head w. flange 4x10	2	Pc.
5	1149-0003	Cable clip d 6,4 / 8 mm, black	2	Pc.
6	1089-0004	Cable tie, black, 5x180	6	Pc.
7	1204-0005	Brake disc with aluminium-ring	2	Pc.
8	1205-0054	Bowden cable guide, flexible	2	Pc.
9-15		Spare parts, Attendant brake		
9	3231-7217	setscrew for cable, 160° angle	1	Pc.
10	1131-0073	Compression spring, for hub brake	1	Pc.
11	1099-0015	Screw nipple	1	Pc.
12	3231-7213	Alu-profile bracket with brake pad	1	Pc.
13	3231-7214	Base plate for hub brake	1	Pc.
14	3231-7212	Cover for hub brake	1	Pc.
15	1039-0001	Screw for plastic, cross pan head w. flange 4x10	3	Pc.

Spare parts



Pos	Article number	Articel description	Quantity	Unit
1-2	3232-5190	Calf pad support plate size 1 with foam insert	1	Set
	3234-5190	Calf pad support plate size 2 with foam insert	1	Set
1	3231-5149-032	Calf pad plate size 1	1	Pc.
	3233-5149-032	Calf pad plate size 2	1	Pc.
2	3232-5173	Foam for Calf pad plate size 1	1	Pc.
	3234-5173	Foam for Calf pad plate size 2	1	Pc.

Spare parts



Pos	Article number	Articel description	Quantity	Unit
1-4	3211-9300-306	Canopy DURO size 1, incl. adapter and rain protection, black	1	Pc.
	3212-9300-306	Canopy DURO size 2, incl. adapter and rain protection, black	1	Pc.
1	7000-0007-306	Canopy with rain cover, black	1	Pc.
2	7000-0008	Rain cover for canopy, DURO size 1	1	Pc.
	7000-0037	Rain cover for canopy DURO size 2	1	Pc.
3	7000-0004	Ratchet joint for canopy with fasteners	2	Pc.
4	3211-9330E	Canopy adapter DURO with fastener complete	1	Pc.

HOGGI GmbH
Eulerstraße 27 • 56235 Ransbach-Baumbach • Deutschland
Telefon: (+49) 2623 / 92 499-0
E-mail: info@hoggi.de • www.hoggi.de
