



## SWINGBO® VTI system wheelchair for kids with 45° tilt

Crash tested according to ISO 7176-19 and RESNA WC-4:2012: Section 19

Order form incl. Exportprices (€) valid until revoked, release date 01/2025

<input type="checkbox"/> Offer	<input type="checkbox"/> Order
Order number / reference	Date
<input type="text"/>	<input type="text"/>
<b>Invoice address</b>	
Company	Customer number
<input type="text"/>	<input type="text"/>
Street	City, Zip code
<input type="text"/>	<input type="text"/>
E-Mail	Telephone
<input type="text"/>	<input type="text"/>
Fax	
<input type="text"/>	
<b>Delivery address</b>	
Company	
<input type="text"/>	
Street	City, Zip code
<input type="text"/>	<input type="text"/>



### Basic configuration

#### Mobility base

- Aluminium rigid frame with centre of gravity tilt in space
- Wheel base adjustable in 2,5 cm steps
- Wheel locks integrated in side panels
- Double wall rear wheels incl. push rims with light weight tires, detachable by quick release axles

#### Seat unit

- Adjustable seat height
- Push-handle or push-bar included
- Adjustable tilt in space: -5° to +45°  
The tilt mechanism can be limited if the seat height is low, the active degree is low or if the armrests are adjusted lowly.
- Seat depth adjustable by apx. 8 cm
- Choice of seat widths 24 - 36 cm
- Maximum load 60 kg

### Minimum information (Without this information your order can not be handled.)

Frame colour \*  (Enter colour code)

\* see table "Frame colours"

Seat width\* in cm  24  26  28  30  32  34  36 | Seat height \*  (37 - 47 cm)

Camber  3°  6°  9°

\* see table "seat measurements, wheel combinations and seat heights"

### Presettings

Seat depth (SD) <sup>4</sup>	<input type="text"/> (24 - 42 cm)	Lower length leg (LLL)	<input type="text"/> (16 - 37 cm)
Back angle range <sup>1</sup>	<input type="checkbox"/> 75° - 115° <input type="checkbox"/> 80° - 120°	Back height <sup>4</sup>	<input type="text"/> (33 - 55 cm)
Push-handle- and back angle: <sup>2</sup>	<input type="checkbox"/> 90° <input type="checkbox"/> 95° <input type="checkbox"/> 100° <input type="checkbox"/> 105°		
Active degree <sup>3</sup>	<input type="text"/> (0 - 10 cm)		

<sup>1</sup> for angle and height adjustable backrest only

<sup>2</sup> for foldable push handles / push bar only

<sup>3</sup> see figure "Active degree"

<sup>4</sup> see table "Seat measurements"

At missing specifications we will adjust to minimum sizes. The back angle to 80°-120°

**Basic variations**

with/or: Please select only one variant! SW = Seat width

	Orderno.	Colour	Description	Qty.	Price €
	<input type="checkbox"/>	<b>3248-10SW</b>	<b>SWINGBO® VTi chassis</b>	<b>1 pc.</b>	
	<input checked="" type="checkbox"/>	3248-1800	Anti Tipper left and right	<b>01</b>	1 set incl.
with	<input type="checkbox"/>	3245-55SW	Push bar, detachable	<b>02</b>	1 set incl.
or	<input type="checkbox"/>	3245-58SW	Push bar "wide", detachable	<b>03</b>	1 set incl.
or	<input type="checkbox"/>	3245-56SW	Push handle, detachable	<b>04</b>	1 set incl.
or	<input type="checkbox"/>	3245-30SW	Push bar, foldable	<b>(upcharge) 05</b>	1 set
or	<input type="checkbox"/>	3245-38SW	Push bar "wide", foldable	<b>(upcharge) 03</b>	1 set
or	<input type="checkbox"/>	3245-35SW	Push handle, foldable	<b>(upcharge) 06</b>	1 set
or	<input type="checkbox"/>	3248-30SW	Push bar, foldable and angle adjustable	<b>(upcharge) 07</b>	1 set
or	<input type="checkbox"/>	3248-38SW	Push bar "wide", foldable and angle adjustable	<b>(upcharge) 03</b>	1 set
	<input type="checkbox"/>	3248-7300	Tie down kit according to ISO 7176-19 *	<b>08</b>	1 set
* Use with back rest extension or head support if there is no support for shoulder and head mounted in the transport vehicle.					
	<input type="checkbox"/>	3245-5113S	Reinforced locking claws for push bar 3245-30SW and push handles 3245-35SW *	<b>(upcharge) 09</b>	1 set
* necessary if used with tie down kit					

**Fender**

	Order no.	Colour	Description	Qty.	
with	<input type="checkbox"/>	3248-179x	Wheel guards with integrated wheel lock levers (2=22", 4=24")	1 set	incl.
or	<input type="checkbox"/>	3248-179x	Wheel guards with integrated wheel lock levers, wide for 3° camber (3=22", 5=24")	1 set	incl.
or	<input type="checkbox"/>	3248-1798	Wheel guards Aluminum in frame color 20-24" with integrated wheel lock levers	<b>10</b>	1 set
or	<input type="checkbox"/>	3248-1799	Wheel guards Aluminum in frame color, 20-24" with integrated wheel lock levers, wide for 3° camber	1 set	

**Rear wheels, HOGGI light**

with/or: Please select only one variant!

	Orderno.	Colour	Description	Qty.	Price €
with	<input type="checkbox"/>	1294-0xxx	Rear wheel <b>HOGGI</b> light	<b>11</b>	1 set incl.
or	<input type="checkbox"/>	1294-1xxx	Rear wheel with drum brake	<b>(upcharge) 12</b>	1 set
with	<input type="checkbox"/>	1294-x2xx	20" wheel diameter	1 set	incl.
or	<input type="checkbox"/>	1294-x3xx	22" wheel diameter	1 set	incl.
or	<input type="checkbox"/>	1294-x4xx	24" wheel diameter	1 set	incl.
with	<input type="checkbox"/>	1294-xx1x	Pneumatic tires 1"	1 set	incl.
or	<input type="checkbox"/>	1294-xx2x	Flat free tires(20x1 3/8", 22x1" und 24x1")	1 set	incl.
with	<input type="checkbox"/>	1294-xxx0	Without push rims		
or	<input type="checkbox"/>	1294-xxx1	Push rims aluminium anodised, "standard" mounting	<b>13</b>	1 set incl.
or	<input type="checkbox"/>	1294-xxx2	Push rims aluminium anodised, "high" mounting	<b>14</b>	1 set incl.
or	<input type="checkbox"/>	1294-xxx3	Push rims stainless steel, "standard" mounting	<b>(upcharge) 15</b>	1 set
or	<input type="checkbox"/>	1294-xxx4	Push rims stainless steel, "high" mounting	<b>(upcharge) 16</b>	1 set
with	<input type="checkbox"/>		Push rim mounting wide		
	<input type="checkbox"/>		Push rim mounting narrow		
or	<input type="checkbox"/>	1204-1155	Closed ergonomic hand rims 22 ", black anodized, for Hoggi-light wheels	<b>(Upcharge) 60</b>	1 Set
or	<input type="checkbox"/>	1204-1156	Closed ergonomic hand rims 24 ", black anodized, for Hoggi-light wheels	<b>(Upcharge)</b>	1 Set
with	<input type="checkbox"/>	1204-106X	"HOGGI Grip Plus" hand rim inserts black, for closed ergonomic hand rims	<b>(Upcharge) 61</b>	1 Set
	<input type="checkbox"/>	1204-114X	Aluminum hand rim with plastic anti-slip coating, black, standard mounting	<b>(Upcharge) 69</b>	1 pair
	<input type="checkbox"/>	1204-114X	Aluminum hand rim with plastic anti-slip coating, black, high mounting	<b>(Upcharge)</b>	1 pair

**Spoke guards // Old motifs // Sale**

with/or: Please select only one variant!

	Orderno.	Colour	Description	Qty.	Price €
	<input type="checkbox"/>	1204-101x	Spoke guard, transparent *	<b>17</b>	1 set
	<input type="checkbox"/>	1204-101x	Spoke guard, transparent, for drum brakes wheels *	1 set	
	<input type="checkbox"/>	1204-101x	Spoke guard, printed **	<b>(Sale) 18</b>	1 set
	<input type="checkbox"/>	1204-101x	Spoke guard, printed, for drum brakes **	<b>(Sale)</b>	1 set

\* Motifs 2021 only possible in combination with 1204-2001-XXX

\*\* please enter code of your print design see attachment or brochure "spoke guard" // Only while stocks last!

\*\*\* printed spoke guards are not available for 20" wheels

**Spoke guards // New motifs 2021** (with 10% dealer discount)

Order no.	Colour	Description	Qty.	Price €
<input type="checkbox"/> 1204-2001-000		Spoke guard Special interior foiling, single-coloured according to customer requirements <sup>1 2</sup>	1 set	
<input type="checkbox"/> 1204-2001-2XX		Spoke guard Special interior foiling, printed <sup>1 3</sup>	1 set	
<input type="checkbox"/> 1204-2001-SA		Spoke guard Special interior foiling, printed according to customer requirements <sup>1</sup>		Price on request
<sup>1</sup> only in combination with transparent spoke guard				
<sup>2</sup> please specify RAL tone				
<sup>3</sup> Spoke guard motif selectable in "Order form spoke-guards" (available on the website)				

**Front castors**

with/or: Please select only one variant!

Orderno.	Colour	Description	Qty.	Price €
with <input type="checkbox"/> 1250-1002S		Wheel with rubber tire, black 100x32	<b>19</b> 1 set	incl.
or <input type="checkbox"/> 1250-1003S		Wheel with rubber tire, black 125x32	1 set	incl.
or <input type="checkbox"/> 1250-1005S		Wheel with rubber tire, black 140x40	1 set	incl.
or <input type="checkbox"/> 1249-1005		Skater wheel with LED 100x24	(upcharge) <b>20</b> 1 set	
or <input type="checkbox"/> 1249-1006		Skater wheel with LED 125x24	(upcharge) 1 set	
or <input type="checkbox"/> 1221-1003		PU-wheel with plastic design rim 100x34	(upcharge) <b>21</b> 1 set	
or <input type="checkbox"/> 1221-1004		PU-wheel with plastic design rim 125x34	(upcharge) 1 set	

**Accessories**

with/or: Please select only one variant! SW = Seat width

Orderno.	Colour	Description	Qty.	Price €
<input type="checkbox"/> 3246-24SW	015	Seat panel	<b>22</b> 1 set	
<input type="checkbox"/> 3248-6501	346	Straight hip supports size 1 (225 x 100 mm), SW 28 - 34 *	<b>23</b> 1 pair	
<input type="checkbox"/> 3248-6502	346	Straight hip supports size 2 (250 x 110 mm), SW 28 - 34 *	1 pair	
<input type="checkbox"/> 3249-6502	346	Straight hip supports size (250 x 110 mm), SW 36 - 44 *	1 pair	
<b>* Hip supports reduce the maximum seat width by 3 cm</b>				
<input type="checkbox"/> 3231-7800	346	Abduction block, size 1, swing away (LWH 9x6x9 cm)	<b>24</b> 1 pc.	
<input type="checkbox"/> 3231-7900	346	Abduction block, size 2, swing away (LWH 11x8x10 cm)	1 pc.	
<input type="checkbox"/> 3245-29SW		Back panel angle- and height adjustable *	<b>25</b> 1 set	
<b>* in combination with detachable push handle / push bar only</b>				
<input type="checkbox"/> 3245-32SW		Back, trough shaped and height adjustable *	<b>26</b> 1 set	
<b>* in combination with push handle / push bar foldable and angle adjustable</b>				
<input type="checkbox"/> 3245-3310		Four gripper clamps D25 with fasteners to arm blank sheet on the back tube	<b>27</b> 1 set	

**Accessories**

with/or: Please select only one variant! SW = Seat width

Orderno.	Colour	Description	Qty.	Price €
<input type="checkbox"/> 3246-4005	015	Foot rest hanger 90°, LLL short 16 - 27 cm	<b>28</b> 1 set	
<input type="checkbox"/> 3246-4006	015	Foot rest hanger 90°, LLL long 16 - 37 cm *	1 set	
<input type="checkbox"/> 3246-4007	015	Foot rest hanger angle adjustable, 85-160°, LLL short 19 - 27 cm	<b>29</b> 1 set	
<input type="checkbox"/> 3246-4008	015	Foot rest hanger angle adjustable, 85-160°, LLL long 19 - 37 cm *	1 set	
with <input type="checkbox"/> 3246-4302		Foot rest bracket angle adjustable, flip up type	<b>30</b> 1 set	incl.
or <input type="checkbox"/> 3246-4303		Foot rest bracket angle adjustable, with interlocking	(upcharge) <b>31</b> 1 set	
<input type="checkbox"/> SA-0430		Reinforced steel footplate-carrier (about 0,3 kg heavier)	1 pc.	incl.
with <input type="checkbox"/> 3248-44SW		Foot rest	<b>32</b> 1 pc.	
or <input type="checkbox"/> 3248-45SW		Foot rest with heel stop	<b>33</b> 1 pc.	
or <input type="checkbox"/> 3248-46SW		Foot rest aluminum in frame color	1 pc.	
with <input type="checkbox"/> 3246-4003	015	Single foot rest hanger, separat angle adj. 85-160°, LLL short 19-27 cm <sup>1)</sup>	<b>34</b> 1 set	
or <input type="checkbox"/> 3246-4004	015	Single foot rest hanger, separat angle adj. 85-160°, LLL long 19-37 cm <sup>1) 2)</sup>	1 set	
with <input type="checkbox"/> 3246-46SW		Two single footplates in boat shape	<b>35</b> 1 set	
<sup>1)</sup> applicable up from seat width 26 cm				
<sup>2)</sup> applicable up from seat height 40 cm				
<input type="checkbox"/> 3246-71SW	346	Seat cushion 3 cm thick	<b>36</b> 1 pc.	
<input type="checkbox"/> 3246-77SW	346	Seat cushion 3 cm thick with cut out for hip support, SW 28 - 36	1 pc.	

## Accessories

with/or: Please select only one variant! SW = Seat width

	Orderno.	Colour	Description	Qty.	Price €
	<input type="checkbox"/> 3245-72SW	346	Back cushion, through shaped back, black 2,5 cm thick, SW 24 - 32	37	1 pc.
	<input type="checkbox"/> 3245-72SW	346	Back cushion, through shaped back, black 2,5 cm thick, SW 34 & 36		1 pc.
	<input type="checkbox"/> 3245-73SW	346	Back cushion, black 2,5 cm thick, SW 24 - 32		1 pc.
	<input type="checkbox"/> 3245-73SW	346	Back cushion, black 2,5 cm thick, SW 34 - 36		1 pc.
with	<input type="checkbox"/> 2240-1505		MDP pad holder swing away and detachable for attachment to round tube D25 mm, left side	38	1 pc.
with	<input type="checkbox"/> 2240-1506		MDP pad holder swing away and detachable for attachment to round tube D25 mm, right side		1 pc.
or	<input type="checkbox"/> 2240-1405		MDP pad holder fixed for attachment to round tube D25 mm, left/right side	39	1 pc.
with	<input type="checkbox"/> 2240-1461	346	MDP trunk support size 1 (8 x 10 x 2 cm), cover black	40	1 pc.
or	<input type="checkbox"/> 2240-1462	346	MDP trunk support size 2 (10 x 12 x 2 cm), cover black		1 pc.
or	<input type="checkbox"/> 2240-1463	346	MDP trunk support size 3 (12 x 13 x 2 cm), cover black		1 pc.
or	<input type="checkbox"/> 2240-1471		MDP trunk support curved size 1 (6 x 11,5 x 2,5 cm), PU w/o cover	41	1 pc.
or	<input type="checkbox"/> 2240-1472		MDP trunk support curved size 2 (8 x 14 x 2,5 cm), PU w/o cover		1 pc.
	<input type="checkbox"/> 1204-1015		Push-rim cover in silicone black fluted 20"	42	1 set
	<input type="checkbox"/> 1204-1016		Push-rim cover in silicone black fluted 22"		1 set
	<input type="checkbox"/> 1204-1017		Push-rim cover in silicone black fluted 24"		1 set
	<input type="checkbox"/> 3243-7602	346	Head support standard with upholstery, SW 24 - 26	43	1 pc.
	<input type="checkbox"/> 3243-7603	346	Head support standard with upholstery, SW 28 - 36		1 pc.
	<input type="checkbox"/> 3201-3830		Headrest bracket "universal" (for 3245-7800 or third-party products)	44	1 pc.
	<input type="checkbox"/> 3245-7800	306	Head support with occiput upholstery incl. mount. bracket	45	1 pc.
	<input type="checkbox"/> 3200-0401		Belt routing as a T-strap above the shoulders	46	1 pc.
	<input type="checkbox"/> 3245-6802	346	Thoracic support, particular adjustable, size approx. 12x13x2 cm *	47	1 set
			<b>* in combination with angle and height adjustable back 3245-29SW only</b>		
	<input type="checkbox"/> 3246-68SW	346	Thoracic support, adjusted to back panel trough shaped (size 12x13x2 cm)		1 set
	<input type="checkbox"/> 3245-6401	346	Chest-/ thoracic support, size 1, length 33 - 43 cm *	48	1 pc.
	<input type="checkbox"/> 3245-6402	346	Chest-/ thoracic support, size 2, length 39 - 49 cm *		1 pc.
	<input type="checkbox"/> 3245-6403	346	Chest-/ thoracic support, size 3, length 45 - 55 cm *		1 pc.
			<b>* chest measurement measured up from the back rest, in combination with angle and height adjustable back 3245-29SW only</b>		
			<b>* by ordering these articles in combination with a back panel trough shaped SA-0295-MP must be taken additionally</b>		
	<input type="checkbox"/> 3246-6200		Armrests, size 1, Height 14 - 21 cm *		1 pair
			<b>* depending on seat height and seat angle, not all "armrestheights" are available</b>		
			<b>* Tilt may be limited with certain settings</b>		
or	<input type="checkbox"/> 3246-6300		Armrests, size 2, Height 19 - 26 cm *		1 pair
			<b>* depending on seat height and seat angle, not all "armrestheights" are available</b>		
or	<input type="checkbox"/> 3246-6400		Armrests with tilt balancing, size 1, height 15-23 cm	49	1 pair
or	<input type="checkbox"/> 3246-6500		Armrests with tilt balancing, size 1, height 18-26 cm		1 pair
with	<input type="checkbox"/> 7000-0051		PU-Armrest pads, 235 mm long		1 pair incl.
or	<input type="checkbox"/> 7000-0052		PU-Armrest pads, 270 mm long		1 pair incl.
	<input type="checkbox"/> 3240-8202		Therapy tray, size 2, SW 24 - 26 *	50	1 pc.
	<input type="checkbox"/> 3240-8203		Therapy tray, size 3, SW 28 - 32 *		1 pc.
	<input type="checkbox"/> 3240-8204		Therapy tray, size 4, SW 34 - 36 *		1 pc.
			<b>* in combination with armrests only</b>		
	<input type="checkbox"/> 3201-6100		Lap belt	51	1 pc.
	<input type="checkbox"/> 3240-6701		4-point lap belt, size S (SW 22 - 30)	52	1 pc.
	<input type="checkbox"/> 3240-6702		4-point lap belt, size M (SW 28 - 34)		1 pc.
	<input type="checkbox"/> 3240-6703		4-point lap belt, size L (SW 34 - 42)		1 pc.
	<input type="checkbox"/> 3201-6400		Ankle hugger, size 1	53	1 pair
	<input type="checkbox"/> 3203-6400		Ankle hugger, size 2		1 pair

**Extra equipment**

Order no.	Colour	Description	Qty.	Price €
<input type="checkbox"/>	7000-0199	"Cosies" Thermofleece hand warmer for companion	54 1 set	

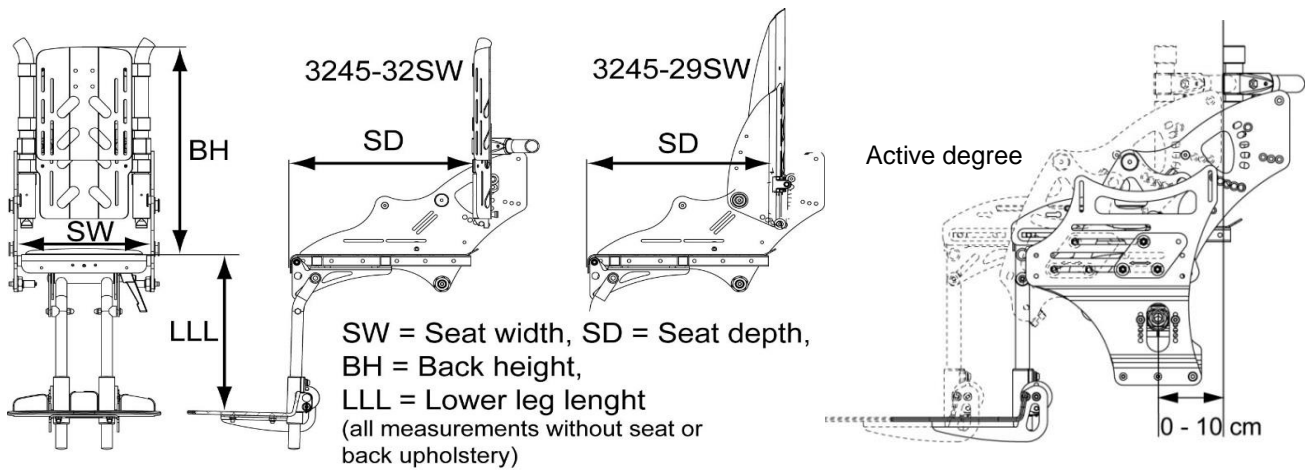
**Custom-made**

with/or: Please select only one variant! SW = Seat width

Orderno.	Colour	Description	Qty.	Price €
<input type="checkbox"/>	3249-3200	Back plate with fastening material for "HOGGI align" back cushions *	55	
		<b>* only possible in combination with 3248-30SW and 3248-38SW</b>		
<input type="checkbox"/>	3249-7200 346	HOGGI align Contoured back cushion, black	56	
<input type="checkbox"/>	3246-80SW	Contoured seat cushion, with abduction, leg and ischial support, with removable cushion cover, SW 24 - 32 *	57 1 pc.	
<input type="checkbox"/>	3246-80SW	Contoured seat cushion, with abduction, leg and ischial support, with removable cushion cover, SW 34 - 36 *	1 pc.	
		<b>* not combinable with hip supports and abduction block</b>		
<input type="checkbox"/>	SA-0286/2-KP	Abduction block 30 mm height extension kit *	1 set	
		<b>* only in combination with abduction block and contoured seat cushion</b>		
<input type="checkbox"/>	3245-9300 346	Canopy incl. adapter and rain protection, black *	58 1 pc.	
		<b>* in combination with angle and height adjustable back 3245-29SW only</b>		
<input type="checkbox"/>	SA-0183	Extension push-bar <input type="checkbox"/> 5 cm extension <input type="checkbox"/> 10 cm extension	59 1 pc.	
<input type="checkbox"/>	SA-0093-MP	Maxgrepp Original Greifreifen (Upcharge)	62 1 set	
<input type="checkbox"/>	SA-0094-MP	Maxgrepp Ergo Para Greifreifen (Upcharge)	63 1 set	
<input type="checkbox"/>	SA-0095-MP	Maxgrepp Ergo Para CP Greifreifen (Upcharge)	64 1 set	
<input type="checkbox"/>	SA-0390	Upholstery in special colour (see table upholstery colours)	Price on request	
<input type="checkbox"/>	SA-0210	Frame in special color with RAL code (Upcharge)	1 pc.	
<input type="checkbox"/>	6999-0014 060	Special Frame colour, Copper Gold (Upcharge)	1 pc.	
<input type="checkbox"/>	6999-0017/2	Wheel fork powder coated, color according to customer specification (Upcharge)	1 pc.	
<input type="checkbox"/>	SA-0279/2-KP	<b>SWINGBO® VTi</b> outdoor front end *	65 1 pc.	
		<b>* additional costs for retrofitting</b>		
<input type="checkbox"/>	SA-0619/2-KP	Mounting adapter for Outdoor front end aid for "phil & teds" sibling seat or universal car seat adapter	66 1 set	
<input type="checkbox"/>	SA-0306	SWINGBO® VTi tip assist	67 1 pc.	
		<input type="checkbox"/> on the left <b>or</b> <input type="checkbox"/> on the right		
<input type="checkbox"/>	3275-1910	Bumper wheels, CLEO and SWINGBO® VTi	68 1 pc.	
<input type="checkbox"/>	SA-0572-F-MP	Plastic anti-slip coating in custom colour: Pure white (RAL 9010), Silver grey (RAL 7001), Sky blue (RAL 5015), Traffic red (RAL 3020), Pure orange (RAL 2004) (Upcharge)	70 1 pair	
<input type="checkbox"/>	SA-0315/3-MP	Reconstruction SWINGBO® VTi for ProAktiv One hand drive	71 1 pc.	
<input type="checkbox"/>	SA-0158-KP	Calf upholstery suitable to SW (Upcharge)	1 pc.	
<input type="checkbox"/>	SA-0505-MP	Locking of the integrated brake	72 1 pc.	
<input type="checkbox"/>	SA-0594	Carbon wheel cover (Upcharge)	73 Price on request	



## How to measure



## Seat measurements

Seat width (SW)	24	26	28	30	32	34	36
Mounting width between the seat adaptor plates	23,5	25,5	27,5	29,5	31,5	33,5	35,5
Seat depth	24 - 30	24 - 32	26 - 34	28 - 36	30 - 38	32 - 40	34 - 42
Backrest height, back trough shaped	36 - 44	37 - 45	38 - 48	39 - 49	40 - 50	42 - 54	43 - 55
Backrest height, panel angle adjustable	33 - 42	35 - 44	37 - 46	39 - 48	41 - 50	43 - 52	45 - 54

\*reduction of the seat-width between the pivot points by 2 cm if you are selecting article 3248(9)-30SB or 3245-29SB

## Wheel combinations and seat heights

Front castors	Wheel diameter 100 mm				Wheel diameter 125 mm				Wheel diameter 140 mm			
	Camber 3° 6° 9°				Camber 3° 6° 9°				Camber 3° 6° 9°			
Rear wheels  20 x 1"	<input type="checkbox"/> Seat height 37	<input type="checkbox"/> K	<input type="checkbox"/> K	<input type="checkbox"/> K	<input type="checkbox"/> Seat height 37	<input type="checkbox"/> K	<input type="checkbox"/> K	<input type="checkbox"/> K	<input type="checkbox"/> Seat height 37	<input type="checkbox"/> o	<input type="checkbox"/> o	<input type="checkbox"/> o
	<input type="checkbox"/> Seat height 38	<input type="checkbox"/> K	<input type="checkbox"/> K	<input type="checkbox"/> K	<input type="checkbox"/> Seat height 38	<input type="checkbox"/> K	<input type="checkbox"/> K	<input type="checkbox"/> K	<input type="checkbox"/> Seat height 38	<input type="checkbox"/> K	<input type="checkbox"/> K	<input type="checkbox"/> K
	<input type="checkbox"/> Seat height 39	<input type="checkbox"/> K	<input type="checkbox"/> K	<input type="checkbox"/> K	<input type="checkbox"/> Seat height 39	<input type="checkbox"/> K	<input type="checkbox"/> K	<input type="checkbox"/> K	<input type="checkbox"/> Seat height 39	<input type="checkbox"/> K	<input type="checkbox"/> K	<input type="checkbox"/> o
	<input type="checkbox"/> Seat height 40	<input type="checkbox"/> K	<input type="checkbox"/> L	<input type="checkbox"/> L	<input type="checkbox"/> Seat height 40	<input type="checkbox"/> L	<input type="checkbox"/> K	<input type="checkbox"/> L	<input type="checkbox"/> Seat height 40	<input type="checkbox"/> K	<input type="checkbox"/> K	<input type="checkbox"/> K
	<input type="checkbox"/> Seat height 41	<input type="checkbox"/> L	<input type="checkbox"/> L	<input type="checkbox"/> K	<input type="checkbox"/> Seat height 41	<input type="checkbox"/> K	<input type="checkbox"/> K	<input type="checkbox"/> K	<input type="checkbox"/> Seat height 41	<input type="checkbox"/> K	<input type="checkbox"/> L	<input type="checkbox"/> o
	<input type="checkbox"/> Seat height 42	<input type="checkbox"/> L	<input type="checkbox"/> L	<input type="checkbox"/> L	<input type="checkbox"/> Seat height 42	<input type="checkbox"/> L	<input type="checkbox"/> L	<input type="checkbox"/> L	<input type="checkbox"/> Seat height 42	<input type="checkbox"/> L	<input type="checkbox"/> K	<input type="checkbox"/> o
	<input type="checkbox"/> Seat height 43	<input type="checkbox"/> L	<input type="checkbox"/> o	<input type="checkbox"/> o	<input type="checkbox"/> Seat height 43	<input type="checkbox"/> L	<input type="checkbox"/> o	<input type="checkbox"/> o	<input type="checkbox"/> Seat height 43	<input type="checkbox"/> o	<input type="checkbox"/> L	<input type="checkbox"/> o
22 x 1"	<input type="checkbox"/> Seat height 39	<input type="checkbox"/> o	<input type="checkbox"/> K	<input type="checkbox"/> L	<input type="checkbox"/> Seat height 39	<input type="checkbox"/> o	<input type="checkbox"/> K	<input type="checkbox"/> K	<input type="checkbox"/> Seat height 39	<input type="checkbox"/> o	<input type="checkbox"/> o	<input type="checkbox"/> K
	<input type="checkbox"/> Seat height 40	<input type="checkbox"/> L	<input type="checkbox"/> L	<input type="checkbox"/> L	<input type="checkbox"/> Seat height 40	<input type="checkbox"/> L	<input type="checkbox"/> L	<input type="checkbox"/> L	<input type="checkbox"/> Seat height 40	<input type="checkbox"/> K	<input type="checkbox"/> K	<input type="checkbox"/> K
	<input type="checkbox"/> Seat height 41	<input type="checkbox"/> L	<input type="checkbox"/> L	<input type="checkbox"/> L	<input type="checkbox"/> Seat height 41	<input type="checkbox"/> L	<input type="checkbox"/> L	<input type="checkbox"/> L	<input type="checkbox"/> Seat height 41	<input type="checkbox"/> K	<input type="checkbox"/> L	<input type="checkbox"/> L
	<input type="checkbox"/> Seat height 42	<input type="checkbox"/> L	<input type="checkbox"/> L	<input type="checkbox"/> L	<input type="checkbox"/> Seat height 42	<input type="checkbox"/> L	<input type="checkbox"/> L	<input type="checkbox"/> L	<input type="checkbox"/> Seat height 42	<input type="checkbox"/> K	<input type="checkbox"/> L	<input type="checkbox"/> L
	<input type="checkbox"/> Seat height 43	<input type="checkbox"/> L	<input type="checkbox"/> L	<input type="checkbox"/> L	<input type="checkbox"/> Seat height 43	<input type="checkbox"/> L	<input type="checkbox"/> L	<input type="checkbox"/> L	<input type="checkbox"/> Seat height 43	<input type="checkbox"/> L	<input type="checkbox"/> L	<input type="checkbox"/> L
	<input type="checkbox"/> Seat height 44	<input type="checkbox"/> L	<input type="checkbox"/> L	<input type="checkbox"/> o	<input type="checkbox"/> Seat height 44	<input type="checkbox"/> L	<input type="checkbox"/> L	<input type="checkbox"/> o	<input type="checkbox"/> Seat height 44	<input type="checkbox"/> L	<input type="checkbox"/> L	<input type="checkbox"/> L
	<input type="checkbox"/> Seat height 45	<input type="checkbox"/> L	<input type="checkbox"/> o	<input type="checkbox"/> o	<input type="checkbox"/> Seat height 45	<input type="checkbox"/> L	<input type="checkbox"/> o	<input type="checkbox"/> o	<input type="checkbox"/> Seat height 45	<input type="checkbox"/> L	<input type="checkbox"/> o	<input type="checkbox"/> o
24 x 1"	<input type="checkbox"/> Seat height 42	<input type="checkbox"/> L	<input type="checkbox"/> L	<input type="checkbox"/> L	<input type="checkbox"/> Seat height 42	<input type="checkbox"/> L	<input type="checkbox"/> o	<input type="checkbox"/> L	<input type="checkbox"/> Seat height 42	<input type="checkbox"/> L	<input type="checkbox"/> L	<input type="checkbox"/> L
	<input type="checkbox"/> Seat height 43	<input type="checkbox"/> o	<input type="checkbox"/> L	<input type="checkbox"/> L	<input type="checkbox"/> Seat height 43	<input type="checkbox"/> L	<input type="checkbox"/> L	<input type="checkbox"/> L	<input type="checkbox"/> Seat height 43	<input type="checkbox"/> L	<input type="checkbox"/> L	<input type="checkbox"/> L
	<input type="checkbox"/> Seat height 44	<input type="checkbox"/> L	<input type="checkbox"/> o	<input type="checkbox"/> L	<input type="checkbox"/> Seat height 44	<input type="checkbox"/> L	<input type="checkbox"/> L	<input type="checkbox"/> L	<input type="checkbox"/> Seat height 44	<input type="checkbox"/> L	<input type="checkbox"/> L	<input type="checkbox"/> L
	<input type="checkbox"/> Seat height 45	<input type="checkbox"/> o	<input type="checkbox"/> L	<input type="checkbox"/> o	<input type="checkbox"/> Seat height 45	<input type="checkbox"/> o	<input type="checkbox"/> L	<input type="checkbox"/> L	<input type="checkbox"/> Seat height 45	<input type="checkbox"/> L	<input type="checkbox"/> L	<input type="checkbox"/> L
	<input type="checkbox"/> Seat height 46	<input type="checkbox"/> o	<input type="checkbox"/> o	<input type="checkbox"/> o	<input type="checkbox"/> Seat height 46	<input type="checkbox"/> L	<input type="checkbox"/> L	<input type="checkbox"/> L	<input type="checkbox"/> Seat height 46	<input type="checkbox"/> o	<input type="checkbox"/> L	<input type="checkbox"/> L
	<input type="checkbox"/> Seat height 47				<input type="checkbox"/> Seat height 47				<input type="checkbox"/> Seat height 47	<input type="checkbox"/> L	<input type="checkbox"/> L	<input type="checkbox"/> L
	<b>L</b> 1281-1011 Long wheel fork 1 set incl.			<b>K</b> 1281-1010 Short wheel fork 1 set incl.				<b>o</b> not available				

(Seat height measurements are approximate values, tolerance +/- 10mm)

## Frame colours

<b>001</b> Black (RAL 9005)	<b>020</b> Yellow green (RAL 6018)	<b>028</b> Pearl violet (RAL 4011)	<b>056</b> Turquoise blue (RAL 5018)
<b>002</b> Silver	<b>021</b> Grey aluminium (RAL 9007)	<b>029</b> Pearl beige (RAL 1035)	<b>057</b> Iron sparkling dark light
<b>003</b> Pearl ruby red (RAL 3032)	<b>022</b> White (RAL 9003)	<b>032</b> Black dull matt (RAL 9005M)	<b>058</b> Salmon orange (RAL 2012)
<b>004</b> Pearl night blue (RAL 5026)	<b>023</b> Pure orange (RAL 2004)	<b>039</b> Signal violet (RAL 4008)	<b>059</b> Pastel blue (RAL 5024)
<b>005</b> Pearl gentian blue (RAL 5025)	<b>024</b> Sparkling iron effect	<b>040</b> Night blue (RAL 5022)	<b>061</b> Light pink (RAL 3015)
<b>017</b> Traffic yellow (RAL 1023)	<b>025</b> Signal blue (RAL 5005)	<b>050</b> White matt (RAL 9003)	<b>064</b> Olive green (RAL 6003)
<b>018</b> Flame red (RAL 3000)	<b>026</b> Vermillion (RAL 2002)	<b>053</b> Light green (RAL 6027)	<b>065</b> Raspberry red (RAL 3027)
<b>019</b> Sky blue (RAL 5015)	<b>027</b> Heather violet (RAL 4003)	<b>054</b> Ocean blue (RAL 5020)	<b>066</b> Pastel green (RAL 6019)

**SA-0210-MP** Special colours on request (Enter RAL code ) , **Upcharge**

## Upholstery colours

<b>346</b> Black	<b>321</b> Spacer fabric, black (special colour)	<b>348</b> Grey Soft (special colour)
<b>347</b> Berry Soft (special colour)	<b>349</b> Turquoise Soft (special colour)	

All HOGGI upholstery are made from flame retardant Trevira CS. Exception spacer fabric (321).

## Spoke guard



### Colour code

<b>201</b>	<b>HOGGI</b> blue	<b>205</b>	Train
<b>202</b>	Wonderland	<b>206</b>	Dragon
<b>203</b>	Mouse	<b>207</b>	Circus
<b>204</b>	Water world		

# CONFIGURATIONS // ACCESSORIES // SWINGBO® VTi



01 Anti Tipper left and right



02 Push bar, detachable



03 Push bar „wide“



04 Push handles, detachable



05 Push bar, foldable



06 Push handles, foldable



07 Push bar, foldable and angle adjustable



08 Tie down kit



09 Reinforced locking claws



10 Aluminium fender with integr. brake system



11 Rear wheel HOGGI light



12 Rear wheel HOGGI light with drum brake



13 Push rims aluminium anodised, standard



14 Push rims aluminium anodised, high



15 Push rims stainless steel, standard



16 Push rims stainless steel, high



17 Spoke guard, transparent



18 Spoke guard, printed



19 Wheel with rubber tire



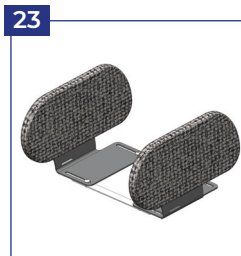
20 Skater wheel with LED



21 PU-wheel with plastic design rim



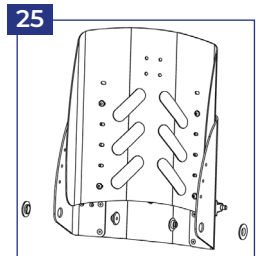
22 Seat panel



23 Hip supports



24 Abduction block



25 Back panel angle- and height adjustable



26 Back, trough shaped and height adjustable



27 Four gripper clamps



28 Foot rest hanger 90°



29 Foot rest hanger angle adjustable



30 Foot rest bracket, flip up type



# CONFIGURATIONS // ACCESSORIES // SWINGBO® VTI

<p>31</p> 	<p>32</p> 	<p>33</p> 	<p>34</p> 	<p>35</p> 
<p>Foot rest bracket with interlocking</p>	<p>Foot rest, flat</p>	<p>Foot rest with heel stop</p>	<p>Single foot rest hanger</p>	<p>Two single footplates in boat shape</p>
<p>36</p> 	<p>37</p> 	<p>38</p> 	<p>39</p> 	<p>40</p> 
<p>Seat cushion</p>	<p>Back cushion</p>	<p>MDP pad holder swing away and detachable</p>	<p>MDP pad holder fixed</p>	<p>MDP trunk support</p>
<p>41</p> 	<p>42</p> 	<p>43</p> 	<p>44</p> 	<p>45</p> 
<p>MDP trunk support curved</p>	<p>Push-rim cover</p>	<p>Head support standard with upholstery</p>	<p>Headrest bracket universal</p>	<p>Head support with occiput upholstery</p>
<p>46</p> 	<p>47</p> 	<p>48</p> 	<p>49</p> 	<p>50</p> 
<p>Belt routing as a T-strap</p>	<p>Thoracic support</p>	<p>Chest-/ thoracic support</p>	<p>Armrests with tilt balancing</p>	<p>Therapy tray</p>
<p>51</p> 	<p>52</p> 	<p>53</p> 	<p>54</p> 	<p>55</p> 
<p>Lap belt</p>	<p>4-point lap belt</p>	<p>Ankle hugger</p>	<p>„Cosies“ Thermofleece hand warmer</p>	<p>Back plate for „HOGGI align“</p>
<p>56</p> 	<p>57</p> 	<p>58</p> 	<p>59</p> 	<p>60</p> 
<p>HOGGI align Contoured back cushion</p>	<p>Contoured seat cushion</p>	<p>Canopy</p>	<p>Extension push-bar</p>	<p>Closed ergonomic hand rims</p>

# CONFIGURATIONS // ACCESSORIES // SWINGBO® VTi



61 HOGGI Grip Plus



62 Maxgrepp Original push rims



63 Maxgrepp Ergo Para push rims



64 Maxgrepp Ergo Para CP push rims



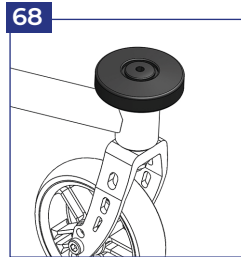
65 Outdoor front end



66 Mounting adapter for Outdoor front end



67 Tip assist



68 Bumper wheels



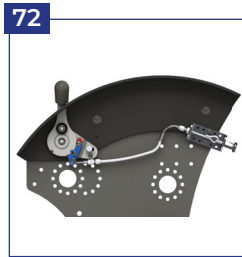
69 Aluminum hand rim with plastic anti-slip coating



70 Aluminum hand rim with plastic anti-slip coating



71 One-hand drive of „ProActiv“



72 Locking of the integrated brake



73 Carbon wheel cover