
HOGGI[®]



CLEO Teen Service instructions

en

Serviceanleitung für Aktivrollstuhl CLEO Teen

1	Model identification & basic configuration	
1.1	Model identification (label)	4
1.2	Basic configuration	5
2	Overview CLEO Teen	
2.	Overview	6
3	Common information	
3.1	Preface	7
3.2	Application	8
3.3	Declaration of conformity	8
3.4	Terms of warranty	8
3.5	Customer service	8
3.6	Service and repairs	9
3.7	Packing and shipping instructions	9
4	Safety Instructions	
4.1	Meaning of symbols	10
4.2	Common safety instructions	10
5	Required tools and maintenance schedule	
5.1	Required tools	11
5.2	Maintenance schedule	12-13
6	Seat settings	
6.1	Seat height and Seat angle CLEO and CLEO Ti	14-16
6.2	Seat depth	17
6.3	Back height	17-18
6.4	Active degree	18-19
6.5	Backrest angle	19
6.6	Footrest angle and lower leg length	20
7	Maintenance schedule	
7.1	Frame and base plates	20
7.2	Back base	20-21
7.3	Seat and back unit	21-22
7.4	Braking system	22-24
7.5	Push bar and handles, One hand push-handle	24-25
7.6	Wheel fork holder	25
7.7	Front wheels	25
7.8	Rear wheels	26
7.9	Push rims	26
7.10	Fender	26-27
7.11	Anti tip and tip assist	27
7.12	Footrest hanger	28-29
7.13	Seat and back cushion	29
7.14	Spoke guards	30
7.15	Headrest	30
7.16	Backrest extension	30

7.17	Therapy tray	30
7.18	Tie down kit	31
7.19	Abduction block	31
7.20	Belt fixations	31
8	Operating life	
8.	CLEO Teen Operating life	32
9	Specifications	
9.	CLEO Teen Specifications	32

1 Model identification

1.1 Model identification (label)

(The label is attached to the axle tube)

The image shows three identical labels for a HOGGI CLEO Teen Aktivrollstuhl. Each label contains the following information:

- Colour code:** MD
- Article number:** @ 3290-00SB-XXX
- Size:** CLEO Teen
- Serial number:** SN 2021178999
- CE label:** CE max. load 75 kg
- Classification / Product name:** HOGGI CLEO Teen Aktivrollstuhl
- Date of manufacture:** 2021/05/28
- Maximum load / load capacity:** max. load 75 kg
- Manufacturer:** Hoggi GmbH
- Place of manufacture:** Eulerstr. 27, 56235 Ransbach-Baumbach
- Year of manufacture:** 2021
- UDI Code:** (01)04047349096062(21)202178999

Labels are connected to the following text on the right:

- Colour code
- Article number
- Size
- Serial number
- CE label
- Classification / Product name
- Date of manufacture
- Maximum load / load capacity
- Manufacturer
- Place of manufacture
- Year of manufacture
- UDI Code

1.2 Basic configuration

- Rigid frame active wheelchair in aluminium construction, powder-coated; seat depth grows with the user
- 1 Size SW : 34 - 42 cm in 2 cm steps
- Convertible to other seat widths
- Front seat heights: 40 cm up to 53cm
- Seat angle: approx. 0° to 12° in 3° steps
- Seat panel on seat frame
- Footrest hanger 90° inclusive ABS-footrest
- Backrest angle: -10° up to +10°
- Seat- and back panel, or adjustable back cover
- Clothes cover
- HOGGI light rear wheels inclusive push rims (removable via quick-release axle)
- **HOGGI** light wheel locks
- Camber 3°, 6° or 9°
- Load capacity: 75 kg

CLEO Teen Overview



1. Back base „rigid
2. Base plates CLEO Teen
3. Seat panel
4. Rear wheels
5. Footrest hanger with footrest
6. Frame
7. Steering fork with steering wheels

3 Common Information

3.1 Preface

Thank you for selecting the **CLEO Teen** wheelchair. We have designed this high-quality product to make your life safer and easier, and we've included this manual to help you use and care for it.

Please read the following instructions to make sure you use this product as recommended. If you have any further questions, or if you have any problems, please contact your health-care provider.

We hope that **CLEO Teen** meets your expectations.

We reserve technical modifications regarding the specified model in this manual. Before using the wheelchair the first time, this manual has to be read and understood by patient and support personnel in order to ensure a safe handling with the wheelchair.

Regular maintenance is important - it increases safety and prolongs the life of the product. Every rehab product should be checked and serviced once a year.

However, it is recommended to check, readjust and, if necessary, service products with a high frequency of use, with users in growth or users with a changing clinical picture at 6-month intervals.

Only original spare parts should be used for all service and maintenance work.

The service and maintenance work described here should only be carried out by trained specialist personnel and not by the user of the aid.

These service and maintenance instructions refer to the respective spare parts catalogs and operating instructions of the products described. Please use all documents together.

Use the maintenance schedule (Chapter 4.2, Checklist to tick off) as a copy template.

Retain completed maintenance schedules and provide a copy to the customer.

CLEO Teen	User manual	-----
CLEO Teen	Spare parts catalog	-----

3.2 Application

CLEO Teen wheelchair is designed solely for individual indoor and outdoor use by children and adolescents who are unable to walk or who have a walking impediment, and can be operated by the patient or by another person.

Assistance may be required due to:

- Paralysis (paraplegia / tetraplegia or tetraparesis)
- Loss of limbs (dysmelia/lower limb amputation)
- Infantile/spastic cerebral palsy
- Spina Bifida
- Muscle and nerve disorders
- Osteogenesis Imperfecta
- Poliomyeliti
- There are no known contraindications when used as directed.

The **CLEO Teen** wheelchair is able to be used for further service. For further service the product has to be cleaned and sanitised efficiently. Afterwards the product has to be checked concerning condition, wearout and damage by an authorised technician. All damaged and inappropriate parts need to be changed. Some components can be used again, e.g. Rear wheels, steering wheels or push handles. Please see also the service manual for detailed information.

3.3 Declaration of Conformity

HOGGI GmbH as manufacturer declares under sole responsibility that the CLEO active wheelchair meets the general safety and performance requirements to Annex I of the Regulation (EU) 2017/745 of the European Parliament and of the Council. Applicable harmonized standards have been applied. CLEO meets the requirements of ISO 7176-8, DIN EN ISO 12182 and DIN EN ISO 12183.

3.4 Terms of Warranty

Warranty applies only when the product is used according to the specified conditions and for the intended purposes, following all manufacturer's recommendations. The manufacturer is not responsible for damages caused by components and spare parts not approved by the manufacturer. See also § 8 of terms and conditions on:

www.hoggi.de

3.5 Customer service

Our customer service will be happy to answer any technical questions you may have. Please refer to the last page for contact addresses and telephone numbers.

3.6 Service and repairs

Service and repairs on the **CLEO Teen** wheelchair may only be carried out by your specialist dealer. In case of problems, contact your responsible specialist dealer. In case of repairs, you will only receive original spare parts there.

Spare parts and replacement units are available during the entire service life of the product, but only for a maximum of 2 years after the sale of the last product in this series.

The wheelchair is custom made for the first time user. Therefore, no replacement wheelchair is available in the initial configuration. In order to ensure a correct spare parts delivery the serial no. of your wheelchair is required.

We are happy to help you find a dealer near you.

You can reach us at: info@hoggi.de

3.7 Packing and shipping instructions

If **CLEO Teen** has to be sent back to the manufacturer for repair or exchange the product must be thoroughly cleaned/disinfected beforehand and put in a hygienically safe condition.

Packaging is done by wrapping the product in a clean film, ideally with air cushions and the subsequent use of a sufficiently large cardboard box, so that no transport damage can occur.

4 Safety instructions

4.1 Meaning of symbols



Caution!
Warning of possible danger of accident and injury. Warning of possible technical damage.



Information!
About use of product.



Information!
For service-personnel.



Attention!
Read manual before use!

4.2 Common safety instructions

For all maintenance and repair work, you should generally observe a few points:



Attention!
Familiarize yourself with the functions of the product. If you are not familiar with the product, study the user manual before testing. If no user manuals are available, request them from us. You can also download documents from our homepage at: www.hoggi.de



Attention!
Study the service and maintenance instructions before starting work.



Attention!
Use suitable tools (see page 4 ff.).



Attention!
Wear suitable clothing and, if necessary, gloves and protective goggles.



Attention!
Secure the product from tipping over or falling down, e.g. from the workbench.



Attention!
Clean / disinfect the product before starting the test. If necessary, observe the instructions in the user manual and product-specific test instructions.



Note!
Screws and nuts with thread locking are used for a large number of screw connections. If you have to open such screw connections, replace the respective nut or screw with one with new thread locking. If new nuts or bolts with thread locking are not available, use liquid thread locking compound with medium strength (e.g. Loctite 241 or Euro Lock A24.20).

5 Required tools and maintenance schedule

5.1 Required tools

The following list shows the tools and utilities required for service.



Reversible ratchet and sockets
size 8-24



Torque wrench
Measuring ranges 5-50 Nm



Wrench
Size 6 - 24



Hexagon wrench
Gr. 3 - 6



Screwdriver
Blade width 2.5 3.5 and 5.5



Phillips screwdriver
Size 2



Plastic hammer



Hammer approx. 300 g



Carpet knife with sickle and
standard blade



Side cutter



Liquid thread locking
„medium strength

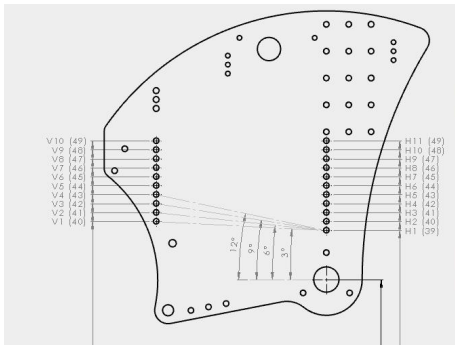


Riveting pliers for rivets up to
5 mm

5.2 Checkliste Wartungsplan

Maintenance schedule for regular inspection		CLEO Teen Active wheelchair		Customer:	
Pos.	Area	Check (Checklist to tick off <input checked="" type="checkbox"/>)			
	Serial number:	1.) Function / Setting (see instruction manual)	2.) none damage / deformation	3.) Screw connections	
1. Basic product					
1.1	Frame & base plates	- Active degree settings - Seat depth/seat height/seat angle	<input type="checkbox"/>	<input type="checkbox"/>	<input type="checkbox"/>
1.2	Back base	- Recline - Active degree settings	<input type="checkbox"/>	<input type="checkbox"/>	<input type="checkbox"/>
1.3	Seat and back unit	- Backrest height, Seat unit settings	<input type="checkbox"/>	<input type="checkbox"/>	<input type="checkbox"/>
1.4	Braking system	- Brakes	<input type="checkbox"/>	<input type="checkbox"/>	<input type="checkbox"/>
1.5	Push bar / Push handles One hand push-handle	- Height adjustment - Angle adjustment of push handle - Dismount	<input type="checkbox"/> <input type="checkbox"/> <input type="checkbox"/>	<input type="checkbox"/>	<input type="checkbox"/>
1.6	Wheel fork holder	- Swivelling the wheel forks	<input type="checkbox"/>	<input type="checkbox"/>	<input type="checkbox"/>
1.7	Front wheels	- Tires - Air pressure - Running behavior of the wheels	<input type="checkbox"/> <input type="checkbox"/> <input type="checkbox"/>	<input type="checkbox"/>	<input type="checkbox"/>
1.8	Rear wheels	- Tires - Air pressure - Running behavior of the wheels - Camber - Quick release	<input type="checkbox"/> <input type="checkbox"/> <input type="checkbox"/> <input type="checkbox"/> <input type="checkbox"/>	<input type="checkbox"/>	<input type="checkbox"/>
1.9	Push rim	- Mounting position	<input type="checkbox"/>	<input type="checkbox"/>	<input type="checkbox"/>
	Do the settings on the wheelchair meet the user's requirements?		<input type="checkbox"/>		
Notes:					

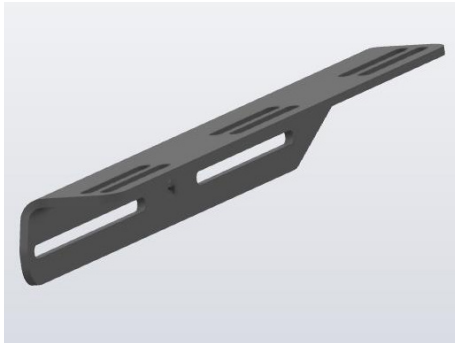
		1.) Function / Setting (see instruction manual)	2.) none damage / deforma- tion	3.) Screw connections
2. Accessories				
2.1	Fender	- Height adjustment	<input type="checkbox"/>	<input type="checkbox"/>
2.2	Anti tip and tip assist	- Anti tip - Swivel away - Angle adjustment	<input type="checkbox"/> <input type="checkbox"/> <input type="checkbox"/>	<input type="checkbox"/>
2.3	Footrest hanger	- Lower leg length - Folding away the footrest - Footrest lock - Footrest angle	<input type="checkbox"/> <input type="checkbox"/> <input type="checkbox"/> <input type="checkbox"/>	<input type="checkbox"/>
2.4	Seat / back cushion	- Cushion	<input type="checkbox"/>	<input type="checkbox"/>
2.5	Spoke guard	- Spoke guard	<input type="checkbox"/>	<input type="checkbox"/>
2.6	Headrests	- Height adjustment - Angle adjustment - Cushion	<input type="checkbox"/> <input type="checkbox"/> <input type="checkbox"/>	<input type="checkbox"/> <input type="checkbox"/> <input type="checkbox"/>
2.7	Back rest extension	- Height adjustment - Cushion	<input type="checkbox"/> <input type="checkbox"/>	<input type="checkbox"/> <input type="checkbox"/>
2.8	Therapy tray	- Clamping unit	<input type="checkbox"/>	<input type="checkbox"/>
2.9	Tie down kit	- Bracket	<input type="checkbox"/>	<input type="checkbox"/>
2.10	Abduction block	- Bracket - Swivel mechanism	<input type="checkbox"/> <input type="checkbox"/>	<input type="checkbox"/> <input type="checkbox"/>
2.11	Belt fixings: Lap belt, 4-point lap belt, ankle hugger	- Closures	<input type="checkbox"/>	<input type="checkbox"/>
	Do the settings of the accessoires meet the user's requirements?		<input type="checkbox"/>	
Notes:				
The maintenance was performed by: on:.....				



6. Seat settings

6.1 Seat height & seat angle

The seat height and seat angle of CLEO Teen are adjusted via the hole matrix on the base plates. The corresponding holes are shown below.

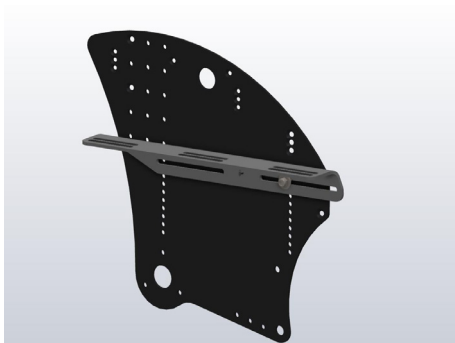


Support brackets form the basis for the seat frame, onto which the seat panel is mounted.

Support bracket



The seat frame is screwed to the support brackets with 6 M6x35 mm carriage bolts.



The support brackets are screwed to the base plate with M6x20 pan-head screws.

Depending on the holes in which the support brackets are screwed, different seat heights and seat depths can be realised. This results in different seat heights and seat depths for the 24" wheels:

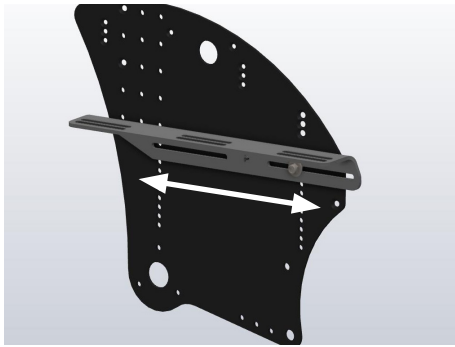
Cleo Teen 24" Seat heights front																		
SA	3°										6°							
SD SH	32 33	34 35	36 37	38 39	40 41	42 43	44 45	46 47	48	32 33	34 35	36 37	38 39	40 41	42 43	44 45	46 47	48
40	40,5	40,5	40,5	40,5	41,0	41,0	41,0	41,0	41,5	41,0	41,0	41,0	41,5	41,5	42,0	42,0	42,5	42,5
41	41,5	41,5	41,5	41,5	42,0	42,0	42,0	42,0	42,5	42,0	42,0	42,0	42,5	42,5	43,0	43,0	43,5	43,5
42	42,5	42,5	42,5	42,5	43,0	43,0	43,0	43,0	43,5	43,0	43,0	43,0	43,5	43,5	44,0	44,0	44,5	44,5
43	43,5	43,5	43,5	43,5	44,0	44,0	44,0	44,0	44,5	44,0	44,0	44,0	44,5	44,5	45,0	45,0	45,5	45,5
44	44,5	44,5	44,5	44,5	45,0	45,0	45,0	45,0	45,5	45,0	45,0	45,0	45,5	45,5	46,0	46,0	46,5	46,5
45	45,5	45,5	45,5	45,5	46,0	46,0	46,0	46,0	46,5	46,0	46,0	46,0	46,5	46,5	47,0	47,0	47,5	47,5
46	46,5	46,5	46,5	46,5	47,0	47,0	47,0	47,0	47,5	47,0	47,0	47,0	47,5	47,5	48,0	48,0	48,5	48,5
47	47,5	47,5	47,5	47,5	48,0	48,0	48,0	48,0	48,5	48,0	48,0	48,0	48,5	48,5	49,0	49,0	49,5	49,5
48	48,5	48,5	48,5	48,5	49,0	49,0	49,0	49,0	49,5	49,0	49,0	49,0	49,5	49,5	50,0	50,0	50,5	50,5
49	49,5	49,5	49,5	49,5	50,0	50,0	50,0	50,0	50,5	50,0	50,0	50,0	50,5	50,5	51,0	51,0	51,5	51,5

SA	9°										12°							
SD SH	32 33	34 35	36 37	38 39	40 41	42 43	44 45	46 47	48	32 33	34 35	36 37	38 39	40 41	42 43	44 45	46 47	48
40	41,5	41,5	42,0	42,0	42,5	43,0	43,0	43,5	44,0	42,0	42,5	43,0	43,0	43,5	44,0	44,5	45,0	45,5
41	42,5	42,5	43,0	43,0	43,5	44,0	44,0	44,5	45,0	43,0	43,5	44,0	44,0	44,5	45,0	45,5	46,0	46,5
42	43,5	43,5	44,0	44,0	44,5	45,0	45,0	45,5	46,0	44,0	44,5	45,0	45,0	45,5	46,0	46,5	47,0	47,5
43	44,5	44,5	45,0	45,0	45,5	46,0	46,0	46,5	47,0	45,0	45,5	46,0	46,0	46,5	47,0	47,5	48,0	48,5
44	45,5	45,5	46,0	46,0	46,5	47,0	47,0	47,5	48,0	46,0	46,5	47,0	47,0	47,5	48,0	48,5	49,0	49,5
45	46,5	46,5	47,0	47,0	47,5	48,0	48,0	48,5	49,0	47,0	47,5	48,0	48,0	48,5	49,0	49,5	50,0	50,5
46	47,5	47,5	48,0	48,0	48,5	49,0	49,0	49,5	50,0	48,0	48,5	49,0	49,0	49,5	50,0	50,5	51,0	51,5
47	48,5	48,5	49,0	49,0	49,5	50,0	50,0	50,5	51,0	49,0	49,5	50,0	50,0	50,5	51,0	51,5	52,0	52,5
48	49,5	49,5	50,0	50,0	50,5	51,0	51,0	51,5	52,0	50,0	50,5	51,0	51,0	51,5	52,0	52,5	53,0	53,5
49	50,5	50,5	51,0	51,0	51,5	52,0	52,0	52,5	53,0	51,0	51,5	52,0	52,0	52,5	53,0	53,5	54,0	54,5

Für die 26" Räder ergeben sich folgende Einstellungsmöglichkeiten

Cleo Teen 26" Seat heights front																			
SA		3°									6°								
SD SH	32	34	36	38	40	42	44	46	48	32	34	36	38	40	42	44	46	48	
	33	35	37	39	41	43	45	47	48	33	35	37	39	41	43	45	47	48	
43	43,5	43,5	43,5	43,5	44,0	44,0	44,0	44,0	44,5	44,0	44,0	44,0	44,5	44,5	45,0	45,0	45,5	45,5	
44	44,5	44,5	44,5	44,5	45,0	45,0	45,0	45,0	45,5	45,0	45,0	45,0	45,5	45,5	46,0	46,0	46,5	46,5	
45	45,5	45,5	45,5	45,5	46,0	46,0	46,0	46,0	46,5	46,0	46,0	46,0	46,5	46,5	47,0	47,0	47,5	47,5	
46	46,5	46,5	46,5	46,5	47,0	47,0	47,0	47,0	47,5	47,0	47,0	47,0	47,5	47,5	48,0	48,0	48,5	48,5	
47	47,5	47,5	47,5	47,5	48,0	48,0	48,0	48,0	48,5	48,0	48,0	48,0	48,5	48,5	49,0	49,0	49,5	49,5	
48	48,5	48,5	48,5	48,5	49,0	49,0	49,0	49,0	49,5	49,0	49,0	49,0	49,5	49,5	50,0	50,0	50,5	50,5	
49	49,5	49,5	49,5	49,5	50,0	50,0	50,0	50,0	50,5	50,0	50,0	50,0	50,5	50,5	51,0	51,0	51,5	51,5	
50	50,5	50,5	50,5	50,5	51,0	51,0	51,0	51,0	51,5	51,0	51,0	51,0	51,5	51,5	52,0	52,0	52,5	52,5	
51	51,5	51,5	51,5	51,5	52,0	52,0	52,0	52,0	52,5	52,0	52,0	52,0	52,5	52,5	53,0	53,0	53,5	53,5	
52	52,5	52,5	52,5	52,5	53,0	53,0	53,0	53,0	53,5	53,0	53,0	53,0	53,5	53,5	54,0	54,0	54,5	54,5	
53	53,5	53,5	53,5	53,5	54,0	54,0	54,0	54,0	54,5	54,0	54,0	54,0	54,5	54,5	55,0	55,0	55,5	55,5	

SA		9°									12°								
SD SH	32	34	36	38	40	42	44	46	48	32	34	36	38	40	42	44	46	48	
	33	35	37	39	41	43	45	47	48	33	35	37	39	41	43	45	47	48	
43	44,5	44,5	45,0	45,0	45,5	46,0	46,0	46,5	47,0	45,0	45,5	46,0	46,0	46,5	47,0	47,5	48,0	48,5	
44	45,5	45,5	46,0	46,0	46,5	47,0	47,0	47,5	48,0	46,0	46,5	47,0	47,0	47,5	48,0	48,5	49,0	49,5	
45	46,5	46,5	47,0	47,0	47,5	48,0	48,0	48,5	49,0	47,0	47,5	48,0	48,0	48,5	49,0	49,5	50,0	50,5	
46	47,5	47,5	48,0	48,0	48,5	49,0	49,0	49,5	50,0	48,0	48,5	49,0	49,0	49,5	50,0	50,5	51,0	51,5	
47	48,5	48,5	49,0	49,0	49,5	50,0	50,0	50,5	51,0	49,0	49,5	50,0	50,0	50,5	51,0	51,5	52,0	52,5	
48	49,5	49,5	50,0	50,0	50,5	51,0	51,0	51,5	52,0	50,0	50,5	51,0	51,0	51,5	52,0	52,5	53,0	53,5	
49	50,5	50,5	51,0	51,0	51,5	52,0	52,0	52,5	53,0	51,0	51,5	52,0	52,0	52,5	53,0	53,5	54,0	54,5	
50	51,5	51,5	52,0	52,0	52,5	53,0	53,0	53,5	54,0	52,0	52,5	53,0	53,0	53,5	54,0	54,5	55,0	55,5	
51	52,5	52,5	53,0	53,0	53,5	54,0	54,0	54,5	55,0	53,0	53,5	54,0	54,0	54,5	55,0	55,5	56,0	56,5	
52	53,5	53,5	54,0	54,0	54,5	55,0	55,0	55,5	56,0	54,0	54,5	55,0	55,0	55,5	56,0	56,5	57,0	57,5	
53	54,5	54,5	55,0	55,0	55,5	56,0	56,0	56,5	57,0	55,0	55,5	56,0	56,0	56,5	57,0	57,5	58,0	58,5	

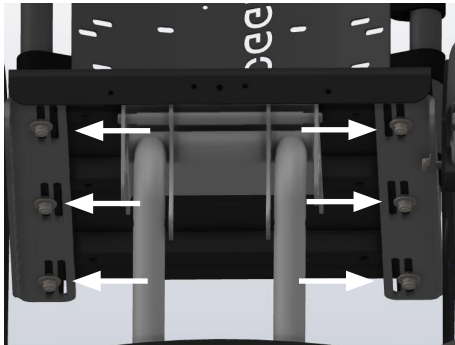


6.2 Seat depth

The seat depth on CLEO Teen can be adjusted in two ways.

1. loosen the marked screw connection on both sides of the base plate and of the seat plate and select the desired seat depth by moving the the angle. Then tighten all the screw connections again.

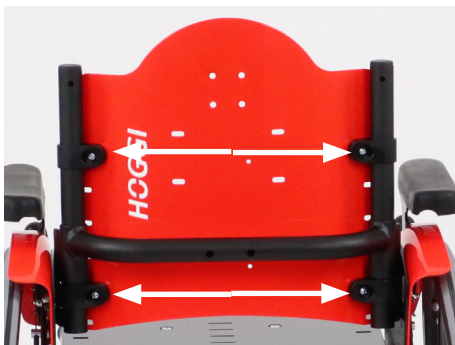
11 cm adjustment space



2. The 6 marked screws under the seat plate can also be used to move the seat plate the seat plate can also be moved in relation to the support brackets.

6 cm adjustment range

Total adjustment range for CLEO Teen 32 - 48 cm.



6.3 Back height

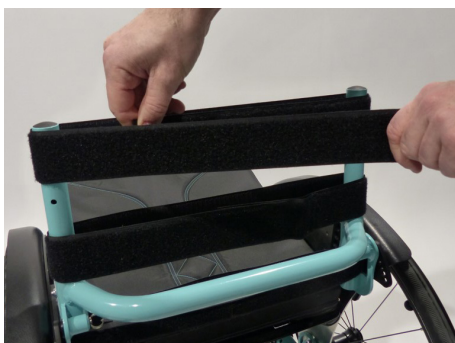
CLEO Teen is equipped with either an adjustable back upholstery or a back panel.

Basically, different back bases and back panels are available in heights of 20/25/30/35 cm. However, the back height can be can be adjusted after loosening the marked screw connections (both sides) by sliding the clamps with the back panel up and down.



Another way to adjust the back height is to move the backrest base backrest base in relation to the base plates.

The backrest height is measured at the horizontal area of the upper edge of the back opposite the seat surface!

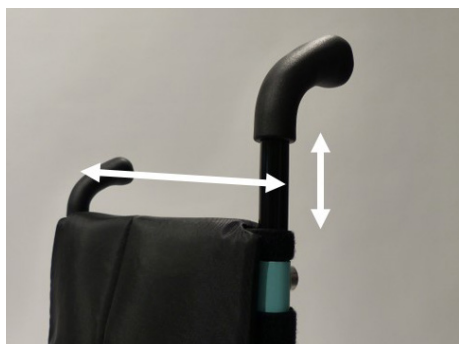


The adjustable back upholstery is attached to the back tubes accordingly.

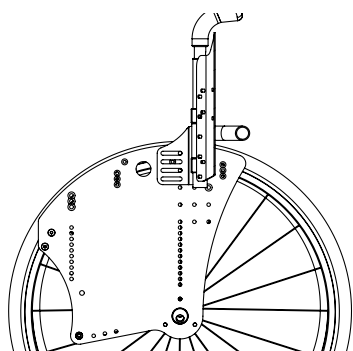


The back height can be changed by means of individual push handles or telescopic tubes.
 If installed, the screw on the rear back tube must be opened.
 These provide 10 cm additional length (back height 20 cm only 5 cm possible for structural reasons).

- This results in the following adjustment range:
- 20 up to 25 cm
 - 25 up to 35 cm
 - 30 up to 40 cm
 - 35 up to 45 cm



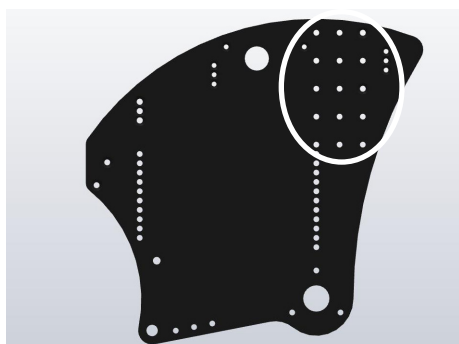
The height can then be readjusted and additional Velcro strips added.



6.4 Active degree

The active degree describes the ratio of the position of the backrest relative to the drive wheel axis. The further the backrest is set behind the the drive wheel axle, the more active CLEO can be driven.
 Conversely, a setting above, or in front of, the drive axle means a more stable driving position.

Caution. Settings with a high degree of activity require an experienced driver and the use of an anti-tippers!



The active degree is set via the installation position of the back plate on the base plate. There are 3 different back positions to choose from.



To move the back plate in relation to the base plates, the marked screws on the left and right must be loosened.
 For a larger range of adjustment, the screws must be taken out and inserted into the next row of the hole matrix.

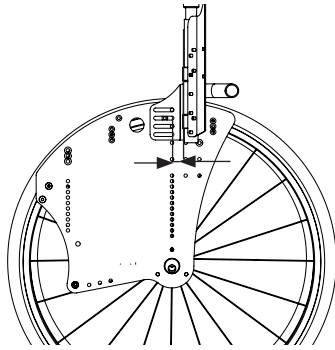
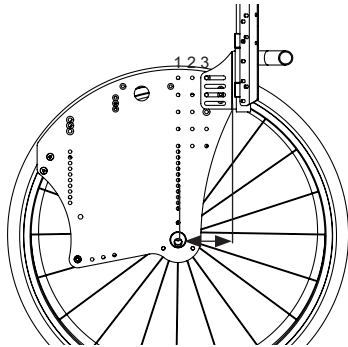


Illustration shows AD 1



ADHL = Active degree Hole line

Illustration shows AD 8

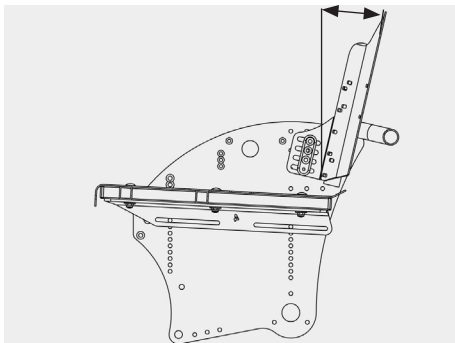
ADHL1 for active degree adjustment 1 to 2
 ADHL2 for active degree adjustment 3 to 4
 ADHL3 for active degree adjustment 5 to 8



6.5 Backrest angle

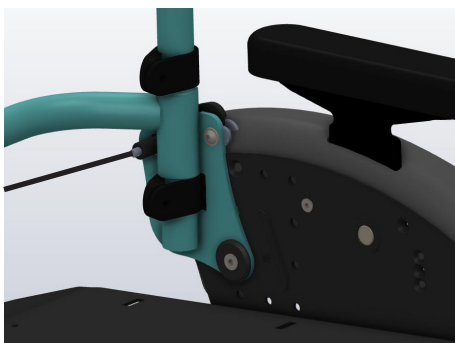
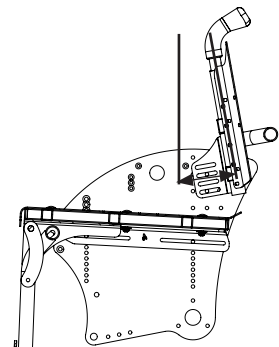
If CLEO Teen is not equipped with the „angle-adjustable“ backrest, the backrest angle is adjusted by loosening the marked screw connection.

The adjustment range is 20° in total.



Back angle adjustment range
 0° to +10°

Back angle adjustment range
 0° to -10°



The „angle-adjustable“ backrest base is operated by a locking bolt on the back.
 6° each hole position, total adjustment range 80° - 105°.



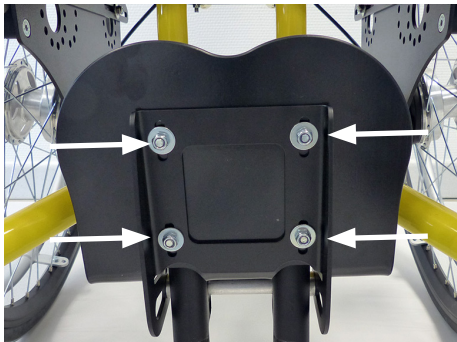
6.6 Footrest angle and lower leg length

The footrest angle is preset to 90°. The adjustment range is +/- 10° (80° - 100°).

The lower leg length is realised by moving the footrest bracket vertically on the tubes of the footrest hanger.

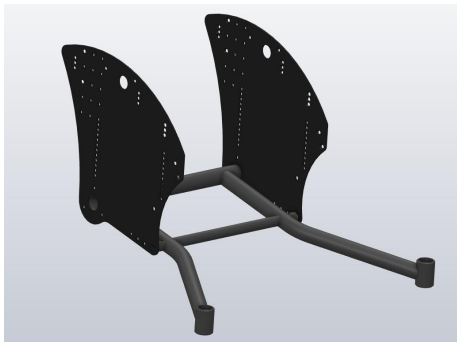
After loosening the wing screws on the back, the appropriate length can be adjusted.

Afterwards, retighten the screws securely!



After loosening the four marked screw connections on the footrest bracket, the footrest can be adjusted in depth.

This alters the location of the foot rest and, therefore, also the foot rest angle. The further the footrest is pulled out to the front, the greater the angle becomes. If the procedure is reversed, the angle decreases accordingly.

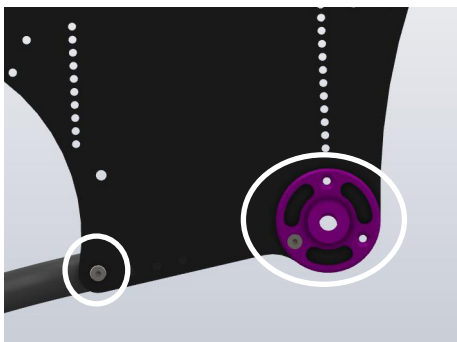


7. Maintenance schedule

7.1 Frame & base plates

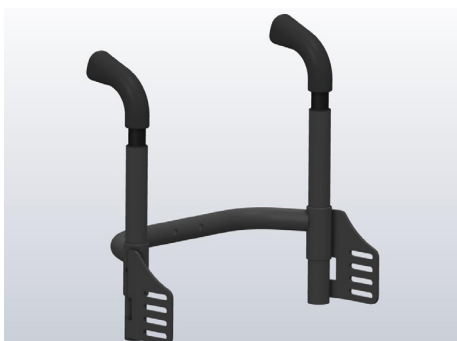
Functional test:

- Check for general damage or deformation to the frame structure or base plate.



Check of the screw connections:

- Connection of lintel adapter and base plate
- If applicable, screw connection for anti tipper or tip assist
- Front connecting screw frame and base plate



7.2 Back base rigid

Functional test:

- Checking the appropriate seat settings
- Check for general damage in the area of the back base



Check of the screw connections:

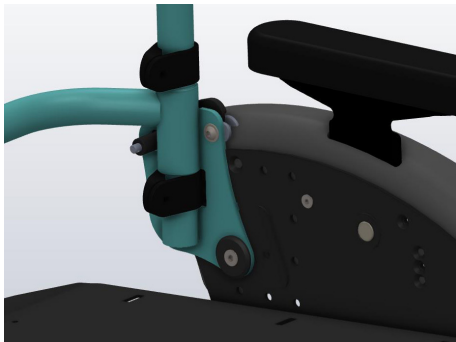
- Connection between back base and base plate



Back base „angle adjustable“

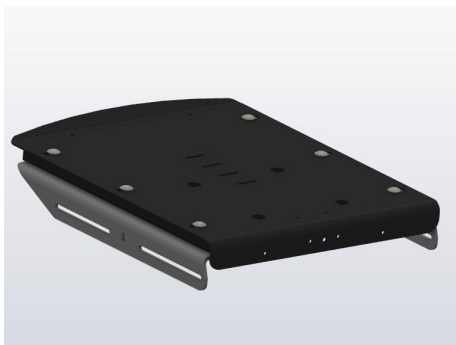
Functional test:

- Checking the corresponding seat settings
- Check for general damage in the area of the backrest base
- Checking the adjustment mechanism (detent pin pull)
- Angle adjustment
- Foldable



Check of the screw connections:

- Connection between back base and base plate
- Anchoring the stop bolt hoist

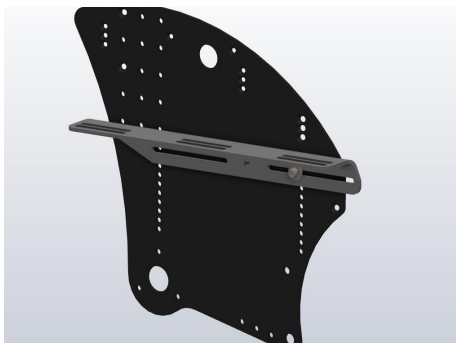


7.3 Seat and back unit

Seat frame

Functional test:

- Correct seat adjustment
- Checking for general damage and correct hold of the seat panel



Check of the screw connections:

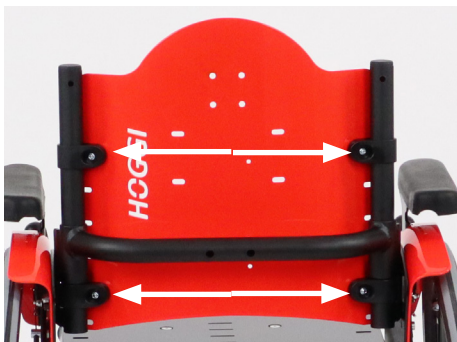
- Connecting of the support brackets to the base plate
- Fastening the seat plate to the support brackets
- Riveting with existing seat cushion



Back panel

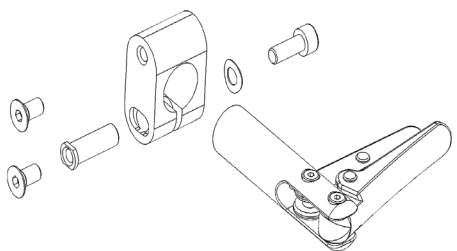
Functional test:

- Check for general damage and firm hold
- Checking the correct adjustment



Check of the screw connections:

- Fastening the back panel to the clamps to the back frame



7.4 Braking system

Brake HOGGI light

Functional test:

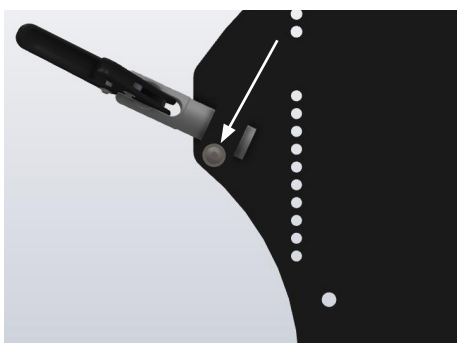
- Brake closure
- Faultless operation
- Visible damage



Brake closed



Brake opened



Check of the screw connections:

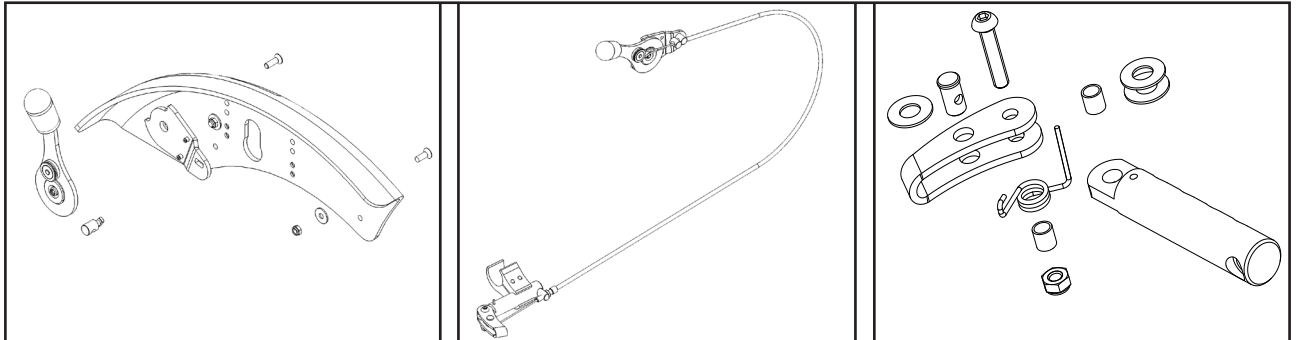
- Fixing the brake to the brake holder
- Fastening the brake holder to the base plates



Integrated brake system

Consisting of:

- Fender with integrated brake system
- Brake cable
- Brake

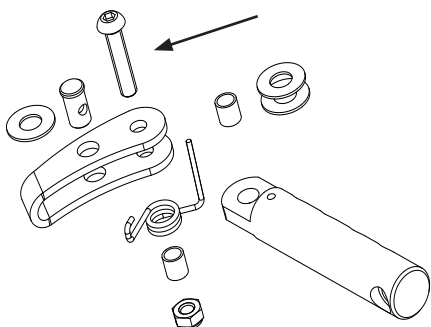


Functional test:

- Operability of the brake lever and smooth glide
- Good brake closure and contact pressure of the brake bracket
- Correct positioning of the brake lever in relation to the wheel. 90° angle and 3-5 mm wheel protrusion
- Check for general damage in the area of the fender and the rubber grip

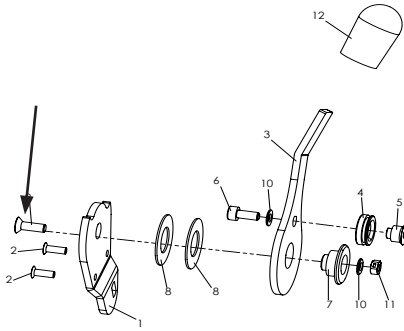


- Good brake closure and contact pressure of the brake bracket
- Correct positioning of the brake lever in relation to the wheel. 90° angle and 3-5 mm wheel protrusion
- Check for general damage in the area of the fender and the rubber grip



Check of the screw connections:

- Fastening the brake lever to the fender



- Fastening the brake bracket to the brake bracket holder
- Bowden cable correctly looped in the cable pulley



Drum brake

Functional test:

- Build-up of brake pressure (readjustment at adjusting screw)
- Checking the brake lever for general damage (locking lever, cracks)
- Checking the Bowden cable (kinks or cracks)
- Check the brake anchor and brake pads (contamination, wear)



Check of the screw connections:

- Connection brake anchor with adapter
- Connection of brake anchor adapter with base plate
- Bowden cable correctly hooked in
- Screw connection of the brake handle to the handle unit

7.5 Push bar and handles, One hand push handle

Push bar

Functional test:

- Attachment and removal
- Clamping
- Height adjustment
- Height adjustment of the upper part by means of ratchet joints
- Checking for general damage



Push handles

Functional test:

- Attachment and removal
- Clamping
- Height adjustment
- Straight alignment of the bars
- Checking for general damage

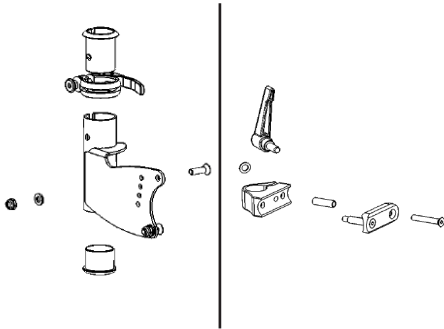




One hand push handle

Functional test:

- Attachment and removal
- Clamping
- Height adjustment
- Checking for general damage



Check of the screw connections:

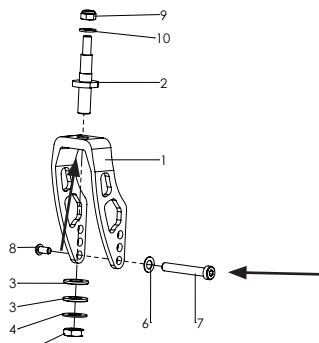
- Fastening the handle holders to the base plate
- Fastening the cross tube for stabilisation
- Fastening the clamp to the back base



7.6 Wheel fork holder

Functional test:

- Swivelling of the wheel fork
- Smooth running or fluttering -> Checking the alignment
- Check for general damage to the forks



Check of the screw connections:

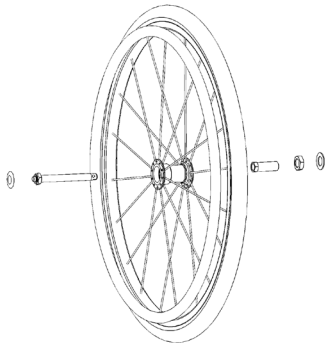
- Screw connection of the wheel axle
- Bolting the steering fork axle to the frame



7.7 Front wheels

Functional test:

- Check for general damage
- Check of the tread or profile (cracks, heavy wear)
- Wheel curvature too worn (tread max. up to 5mm to edge of wheel)
- Contamination in the area of the wheel bearing or the axle



7.8 Rear wheels

Functional test:

- Check for general damage
- Checking the treads and air pressure
- Checking the locking
- Checking the running behaviour of the wheel, clearance, mechanics of the axle
- Checking of the correct alignment of the camber adapter and its bolting



Adjustment of the quick-release axle:

- The axle should be fitted with a minimum of clearance. If too much movement is possible, the front nut is closed slightly clockwise with a 19 mm open-ended spanner in a clockwise direction, while the rear axle is secured with an 11 mm open-ended spanner
- If the wheel is too tight, proceed in reverse order



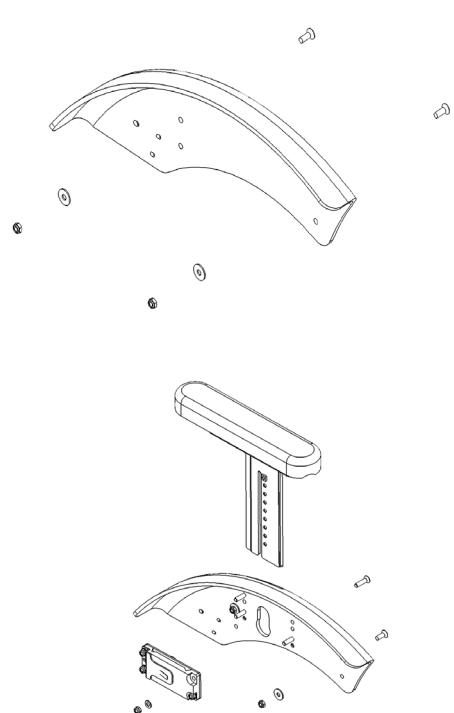
7.9 Push rim

Functional test:

- Check for general damage
- Severe scratching and sharp edges

Checking the screw connections:

- Attachment of handrim to rim, also at correct distance



7.10 Fender

Standard fender

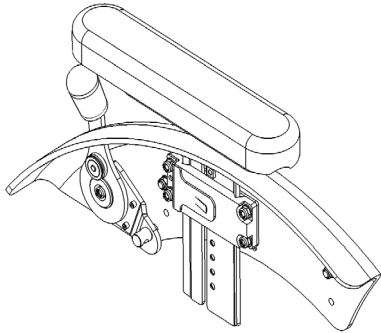
Functional test:

- Check for general damage
- Screw connection to the base plate firmly tightened

Fender with integrated armrests

Functional test:

- Height adjustment and detent of the armrest
- Damage to the armrest cushion
- Damage to the release button
- Screw connection to base plate firmly tightened
- Armrest holder firmly screwed to wheel cover



Fender with integrated brake system and armrests

Functional test:

- Check for general damage
- Height adjustment and latching of the armrest
- Damage to the armrest cushion
- Damage to the release button
- Checking the brake unit (see 6.4 Brake system)
- Screw connection to base plate firmly tightened
- Armrest holder firmly screwed to wheel cover



7.11 Anti tip and tip assist

Anti tip

Functional test:

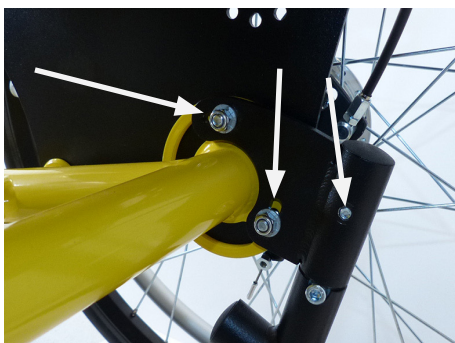
- Check for general damage
- Correct positioning (beyond the wheel radius, 2-3 cm above the floor)
- Checking the swivel mechanism
- Checking the length adjustment



Tip assist

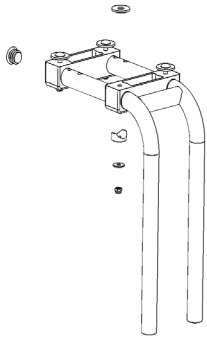
Functional test:

- Check for general damage
- Good grip of the rubber cap



Check of the screw connections:

- Screw connection of the anti tipper or tip assist mounting bracket to the base plate
- Screw connection of the anti tipper or the tip assist to the base plate.

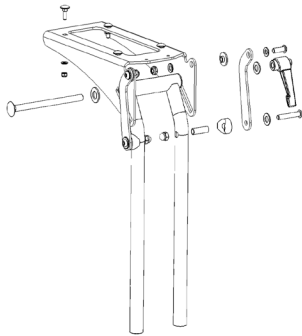


7.12 Footrest hanger

Footrest hanger

Functional test:

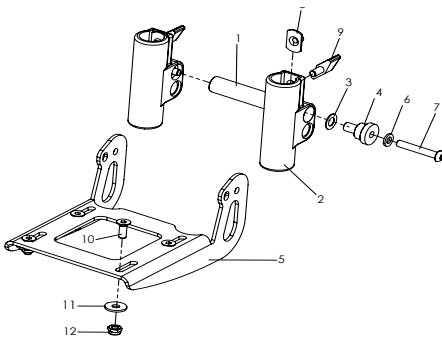
- Check for general damage
- Distance to the seat plate
- Screw connection to the seat plate



Footrest hanger angle adjustable

Functional test:

- Check for general damage
- Swivel mechanism
- Clamping lever for angle adjustment
- Screw connection to the seat plate



Footrest hanger

Standard

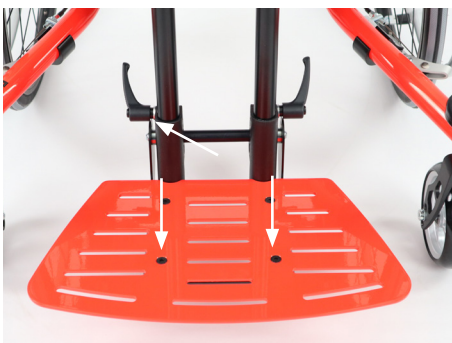
Functional test:

- Check for general damage
- Swivel mechanism of the screwed-on footrest
- Correct adjustment of the foot angle
- Sliding of the holder on the tubes

With locking

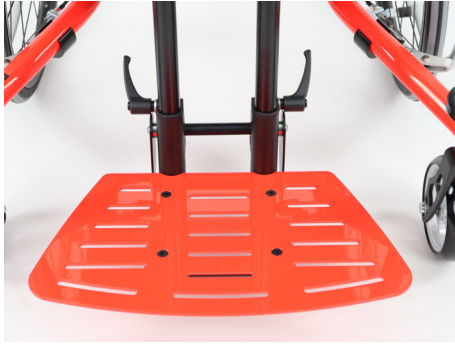
Functional test:

- Check for general damage
- Swivel mechanism of the screwed-on footrest
- Correct adjustment of the foot angle
- Sliding of the holder on the tubes
- Locking bolt pull with locking latches, tension of the cable



Check of the screw connections:

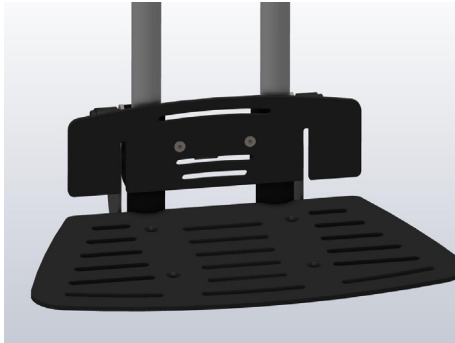
- Wing screws for lower leg length adjustment
- Screw connection of the swivel mechanism
- Screw connection to the footboard with correct angle adjustment



Footrest

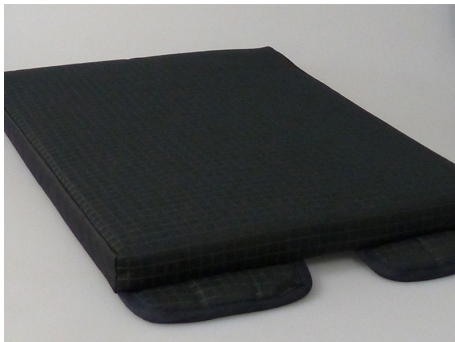
All variants are to be considered equally

Check for general damage



Heel plate

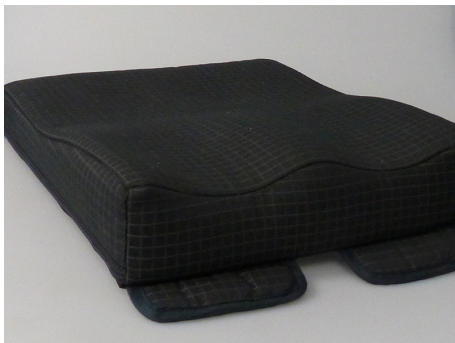
- Check for general damage
- Removal
- Screw connection to the holder



7.13 Seat- and back cushion

Standard seat cushion

- Check for general damage (Velcro fastening, seams, holes or strapped-through areas)
- Check for contamination



Seat cushion contoured

- Check for general damage (Velcro fastening, seams, holes or strapped-through areas)
- Check for contamination



Back cushion

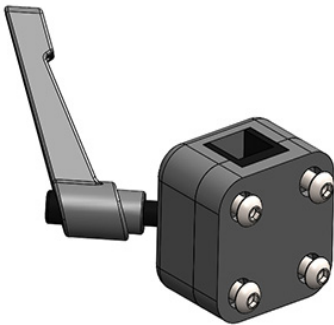
- Check for general damage (Velcro fastening, seams, holes or strapped-through areas)
- Check for contamination



7.14 Spoke guards

Functional test:

- Check for general damage (cracks)
- Fastening clips complete or defective
- Spoke guards suitable for wheel (drum brake or normal)



7.15 Headrest

Headrest bracket

Functional test:

- Check for general damage
- Checking the clamping ability
- Checking the screw connection to the back plate



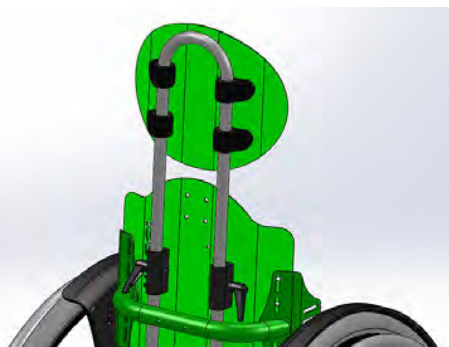
Headrest with upholstery

Functional test:

- Adjustment possibilities
- Check for general damage (wear, cracks, etc.)
- Clamping ability

Checking the screw connections:

- Attachment of pad to support



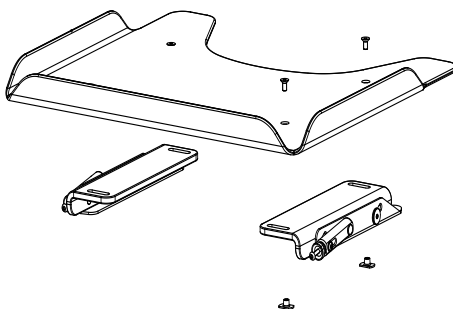
7.16 Backrest extension

Functional test:

- Check for general damage
- Height adjustment and clamping

Checking the screw connections:

- Connection of the bracket to the back plate



7.17 Therapy tray

Functional test:

- Attachability and fixation of the table on the armrests
- Checking for general damage (cracks, sharp edges, etc.)

Checking the screw connections:

- Connection of the table top to the clamping units



7.18 Tie down kit (ISO 7176-19)

Functional test:

- Check for general damage (deformation, sharp edges)

Check of the screw connections:

- Connection of the front and rear fuse to the base plate



7.19 Abduction block

Functional test:

- Check for general damage
- Pivoting and latching mechanism
- Removal

Check of the screw connections:

- Bracket abduction block to the seat panel



7.20 Belt fixations

Lap belt

Functional test:

- Check for general damage
- Check of the fastener
- Check of the screw connection of the bracket



4-point lap belt

Functional test:

- Check for general damage
- Check of the fastener
- Check of the screw connection of the bracket



Ankle hugger

Functional test:

- Check for general damage
- Check of the fastener
- Check of the screw connection of the bracket to the footrest

8. CLEO operating life:

The expected operating life of the **CLEO Teen** is 6 years, depending on the intensity of use, care as well as maintenance. We recommend an annual inspection by the authorized specialist dealer.

In case of malfunctions or defects of the wheelchair, it must be immediately handed over to the medical supply store or the specialist dealer.

9. Specifications

	Frame size 1
Seat width	340 - 420 mm
Seat depth	320 - 480 mm
Back height	200, 250, 300, 350 mm
Seat height* (front)	400 - 530 mm
Seat angle	0°/3°/6°/9°/12°
Backrest angle	80° up to 105°
Lower leg length	200 - 410 mm
Footrest angle	adjustable approx. +/- 10°
Rear wheel diameter	24"/26"
Front wheel diameter	4", 5", 5,5"
Camber	3°, 6°, 9°
User weight/ Maximum load**	75 kg
Active degree	1 - 8 cm

**CAUTION!**

*The seat height depends on the frame size, the wheel diameter and the wheel camber.

**CAUTION!**

**Accessories and add-on parts reduce the remaining load capacity for the occupant.

HOGGI GmbH
Eulerstraße 27 • 56235 Ransbach-Baumbach • Deutschland
Telefon: (+49) 2623 / 92 499-0 • Telefax: (+49) 2623 / 92 499-99
E-mail: info@hoggi.de • www.hoggi.de